

2nd Tylö book 3rd edition

TYLÖ®



S A U N A S

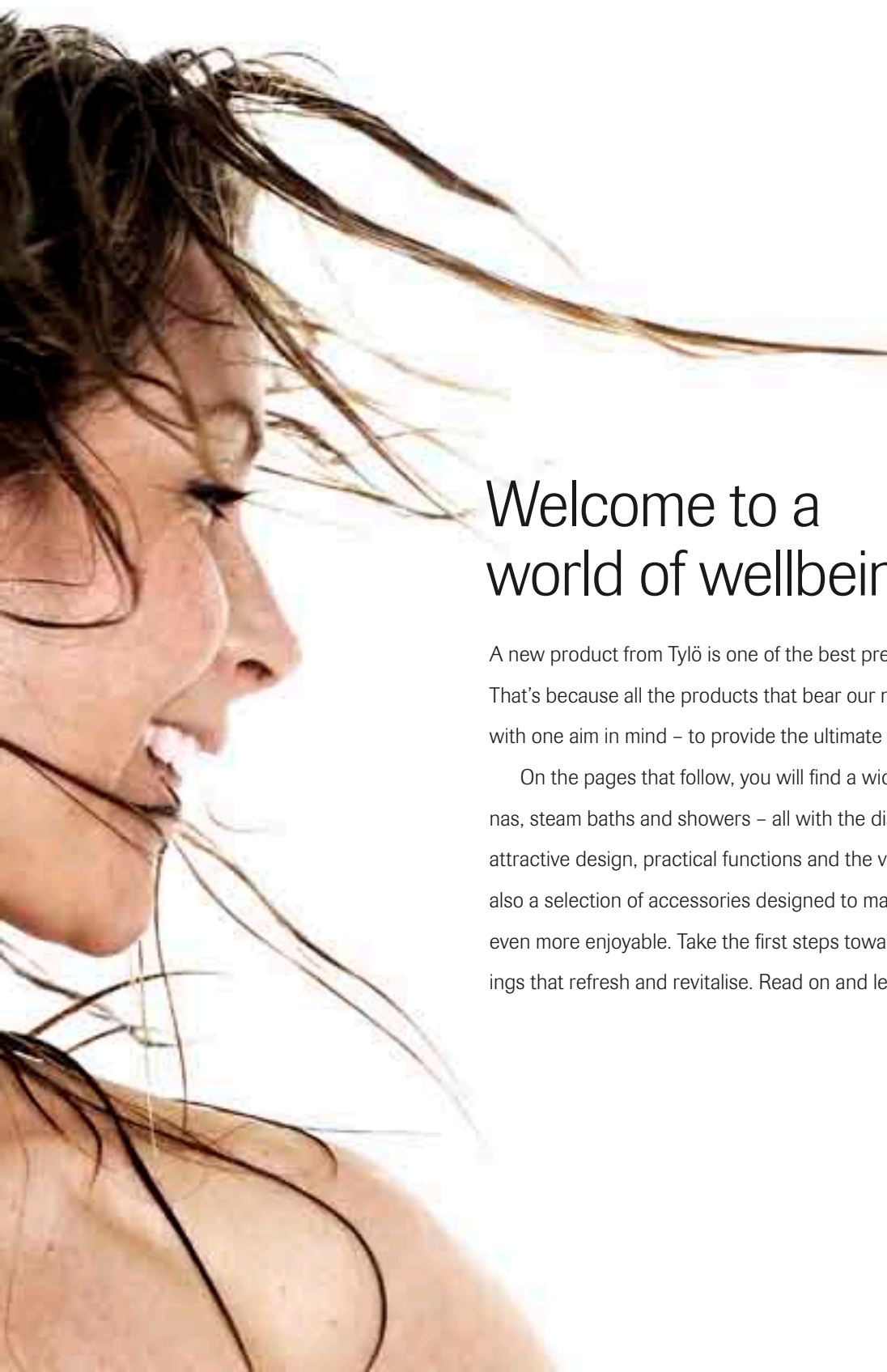
S H O W E R S

S T E A M B A T H S

The 2nd Tylö Book

3rd edition





Welcome to a world of wellbeing.

A new product from Tylö is one of the best presents you can give yourself. That's because all the products that bear our name have been developed with one aim in mind – to provide the ultimate in wellbeing for body and soul.

On the pages that follow, you will find a wide range of products for saunas, steam baths and showers – all with the distinctive Tylö hallmarks of attractive design, practical functions and the very highest quality. There is also a selection of accessories designed to make every bathing experience even more enjoyable. Take the first steps towards true relaxation in surroundings that refresh and revitalise. Read on and let yourself be inspired ...

Contents.



Saunas.

Warmth and water	6
Quality and the environment	8
Different forms of bathing	10

Prefabricated sauna rooms

Introduction	12
We build – you reap the benefits	14
Classic sauna rooms	16
Grand Luxe sauna rooms	20
Alu Line sauna rooms	24
Round Vision sauna rooms	28
Space Vision sauna rooms	30
Midi Vision sauna rooms	34
Vital Vision sauna rooms	38

Infrared heat	40
Infra Multi-sauna	42
Layouts	44

Other sauna room products

Glazed sections	46
Sauna doors	48
Interior fittings	52

Sauna heaters for home saunas

Classic Tylö heaters	54
Tylö Mega heaters	60

Sauna heaters for public facilities

Classic Tylö heaters	62
Tylö Mega heaters	64

Other sauna rooms

Steam saunas at home	68
Steam saunas in public facilities	70
Wood-fired sauna stoves	72

Sauna accessories

Introduction	74
Accessory series	76
Heater guards & sauna stones	79
Lighting	80
Other accessories	82

Hints on sauna building	122
Keeping your sauna fresh	124



Showers.

Introduction	84
Showers that know no limits	86
Tylö Felicity Basic	88
Tylö Felicity Midi	90
Tylö Felicity Premium	92
Tylette Centre hydro-steam cabinet	98
Tylö corner showers	100

Steam baths.

Introduction	104
Tylö prefabricated steam rooms	106
Tylö Elysée	108
Tylö Excellent	110
Layouts	112
Tylö steam generators	114
Steam bath accessories	116
Doors	118
Tylö Professional	120
Planning a steam room	125
About Tylö	126



Warmth and water.

Warmth and water are the basis for all life – and for all that we do here at Tylö. Since the early 1950s we have been developing, manufacturing and marketing high quality products that have helped raise bathing to the art of relaxation and enjoyment.

Today Tylö leads the way worldwide in creating inspiring environments for saunas, showers and steam bathing, both at home and in public facilities. We lead the field in terms of the breadth of our range, the quality and design of our products and the degree of technical innovation. And, to ensure that we can always be 100% certain of supplying the high quality that our customers have learned to expect of Tylö, we manufacture the components and assemble the equipment in our own purpose-built premises.

That's why a Tylö product is always the safest of choices when you want to enjoy the pleasures of warmth and water – or a combination of both – to the full.









Quality and the environment.

When you choose a product from Tylö, high quality comes as standard. Our quality-mindedness is reflected in all aspects of our operations, from design and product development to the choice of materials, manufacturing processes, service and support.

Quality is also evident in our commitment to the environment. Clean water as a source of health and pleasure forms the basis for all our shower products, for instance. That's why we take our responsibility to the environment seriously. Our manufacturing processes are completely clean. There are no harmful emissions from any stage of the production process. The timber we use comes from responsibly managed forests in Scandinavia, the Baltic states and North America. None of our timber is taken from the world's precious rain forests. All plastic components are manufactured from environmentally certified raw materials. And, last but not least, we make optimum use of the resources we consume. Timber waste is used for heating, plastic waste is ground into granules and every scrap of metal is recycled.

Concern for the environment is more than just a priority with us. It is yet another opportunity to demonstrate our commitment to quality – not least, the quality of life. Today and tomorrow.

Different humidity. Different temperatures. Different pleasures.

There are many ways to enjoy a bath, each one equally refreshing in its own particular way. When it comes to bathing with Tylö, the common denominators are relaxation and a sense of wellbeing for body and soul – either alone or in the company of family or friends. No matter what your personal preference, we have a wide range of quality products for you to choose from.

A brief description of the various bathing options follows. Simply choose one or more that you would like to enjoy whenever you wish to relax at home.



Traditional sauna.

Scandinavian sauna bathing takes two traditional forms. The classic sauna is best enjoyed at temperatures of 75–90°C in a relative humidity of 20–35%. Now and then you sprinkle a ladle of water over the hot sauna stones and feel the unique, tingling sensation as wave after wave of heat penetrates deep into your skin. Your pores open, you perspire freely and dead skin cells simply disappear in the shower. Rounding off by pouring water over the stones is part of the ritual.

A slightly more extreme variation on this theme is the dry sauna in very high temperatures (95–110°C) and an almost totally dry atmosphere. This form of sauna bathing is popular among those who like to feel the searing sensation of heat on their skin, when perspiration is the only way to cool the body. For devotees of traditional sauna bathing, we recommend a classic Tylö heater or a model from the Mega series.

Steam sauna.

A gentler form of sauna in 45–65°C, which many people experience as the ideal bathing temperature. A continuous and automatic supply of steam ensures constant humidity of 40–65%. The result is a more temperate bathing climate that tempts both young and old to linger a little longer. Just like traditional saunas, steam saunas produce the same sensation of clean, fresh skin and give you the same opportunity to unwind and relax both body and soul.

For that touch of ultimate luxury, you can perfume the air with invigorating herbs or fragrant essences. If you want to enjoy steam saunas and traditional hot and dry saunas, choose Tylö Combi – an ingenious solution that combines all the options in one single heater.

Steam bathing.

A steam bath is not to be confused with the steam sauna. To enjoy a modern steam bath you leave the realm of the wooden sauna cabin and relax instead in a specially designed room finished in glass, plastic or tiles. The humidity level is a constant 100%. However, the temperature doesn't rise above 40–45°C, so you can enjoy the experience for as long as you like and lose yourself in clouds of soothing steam.



If you are thinking of installing a steam bath at home, a practical solution is to let the same facilities serve as a conventional shower as well. Just complement your choice of a Tylö VA or VB steam generator with a mixer tap and a sprinkler. Alternatively, Tylette Centre and Tylö Felicity combine shower functions with an integral generator for steam bathing.

Infra saunas.

This form of bathing is based on infrared radiation and has little in common with sauna bathing as such. The equipment Tylö uses emits IR-B and IR-C radiation. This penetrates deep into the body and is widely used by beauticians the world over to enhance the efficacy of a number of skin treatments. Infrared radiation is also used as a medical therapy to alleviate the effects of rheumatism, tense muscles and similar aches and pains. It is a well-known fact that heat in all its forms stimulates the body and enhances the sensation of mental and physical wellbeing. So it's no exaggeration to say that Tylö infra cabins are an investment in good health, for body and soul alike.

As Tylö infrared panels are fully-contained separate units, they can also be installed in existing sauna rooms.

Multi-saunas.

Installing Tylö infrared panels together with a Tylö sauna heater in one and the same bathroom is the optimum solution. In addition to their other positive effects, infrared heaters heat up the sauna quickly. This means you can start the bathing cycle almost immediately, enabling you to squeeze in a relaxing sauna when you would otherwise not have had time.

Enjoying the benefits of infrared radiation on your body at the same time as the sauna heater heats up the air in the sauna room is a solution well worth considering – and one which satisfies all the different preferences of the family for the best possible bathing experience.

Saunas.

Would you like to invest in the feelgood factor? Reap the dividends of good health and vitality year after year? Simple! Invest in a sauna. More than just an opportunity to enjoy a variety of bathing options whenever you want, you'll also acquire a place to relax with family and friends. And your own personal refuge from the stress and worries of the world.

Planning a sauna as part of your new home or a renovation project is simple. Space is rarely a problem. And, if you let us at Tylö manufacture and supply your sauna as a prefabricated self-assembly package, installing it is simpler still. We offer a complete range of prefabricated saunas in all shapes and sizes – from compact home-bathroom models to large, exclusive facilities for hotel suites or corporate representation. And we also give you a choice of fittings and equipment.

If you have special requirements that aren't covered by our standard range, our skilled craftsmen are ready and willing to build you a fully customised sauna room, individually adapted to your wishes as regards size and design. After all, we have a reputation to maintain. It's not for nothing that Tylö is widely acclaimed as the world's leading sauna manufacturer.







We build – you reap the benefits.

Buying a prefabricated sauna room is not only the simplest and swiftest way to turn your dream of a sauna into reality. It's also the smartest and the safest, too. That way you can be sure of a really well-made sauna that will serve you well, year after year after year.

Building a sauna from scratch is not as easy as it may first seem. A good sauna is a work of craftsmanship. But more than that, it's also a construction that has to cope with everything from the extremes of searing dry heat at 100°C to billowing clouds of steam and 65% humidity. That's why it makes sense not only to choose a prefabricated sauna room, but also to choose one from Tylö.

We have been building sauna rooms

since the 1950s. We know what the huge variations in sauna bathing climates demand of the design and the materials used. We also know what you as a customer expect in the way of finish, function, fit and convenience.

The list below shows that we have taken all these factors and more into consideration. So building your own sauna doesn't have to be difficult at all. Just make sure you get a little help from the professionals.



Selected timbers – a proper sauna requires the proper wood. Tylö uses only genuine timber of the very highest quality.

Robust construction – Tylö saunas are built to cope with all types of bathing climate.

Effective insulation with mineral wool in wall and ceiling sections and heat-resistant polyester seals.

Perfect fit every time makes assembling walls, ceiling and fittings simple and straightforward.

Glazed wall sections give a sensation of space inside the sauna and keep bathers in touch with what is going on outside.

Tempered safety glass for extra security in all glazed surfaces.

Perfect ventilation with air supply and exhaust air vents placed in accordance with the Tylö principle. This makes use of the laws of physics to spread heat naturally and create different temperature zones in the sauna.

Broad, comfortable benches in solid wood with a sturdy construction and velvet smooth surfaces.

Contoured backrests enhance comfort in the sauna and help tired muscles to relax.

Elegant skirting panels screen off the gaps between benches.

Subdued lighting with light fittings concealed behind backrests or lampshades.

Prepared for simple electrical installation – conduits in the wall sections make electrical installation work quick and easy.

The best sauna doors – Tylö has a wide choice of alternatives, all built to cope with the huge differences in temperatures inside and outside the sauna without warping or becoming deformed.





Tylö Classic Corner Special with an external tiled finish to match the bathroom walls.



Classic sauna rooms.

If you ask people to describe a genuine sauna, the chances are that their description is more or less identical to a Tylö Classic room. The standard Classic model is the epitome of a traditional sauna, both inside and out.

At the same time, it's easy to adapt a Classic sauna room to its surroundings. Choose Classic Special if you want to add a finish that blends in perfectly with the rest of your bathroom décor. It's as versatile as your imagination.



THE CLASSIC STANDARD PACKAGE INCLUDES:

Thermally insulated wall and ceiling sections with spruce panelling • Sauna door in glass (DGM-72) • Interior fittings in aspen • Aluminium floor frame • Corner/ceiling mouldings • Air vents and assembly hardware

THE CLASSIC SPECIAL PACKAGE INCLUDES:

As above, excl. exterior panelling.





The characteristic feature of this classic sauna room is the beautiful blonde spruce panelling of the walls and ceiling. The knotty wood and the special scent help create the cosy, rustic appeal of this sauna room.

The tinted safety-glass door is set in a sturdy wooden frame and comes complete with a wooden handle and a magnetic catch. Once inside, your eye is met by aspenwood fittings: two generously proportioned benches in a split-level arrangement with skirting panels between. A contoured backrest adds to the pleasant, relaxing atmosphere.

In short – choose a Classic and you get a value-for-money sauna room in a traditional design. Plus the welcoming fragrance of real wood and resin into the bargain.

Classic rooms are available in 16 sizes (see floor layout plans on page 44). All are designed to be placed in an existing corner and come with two outer walls finished in covering panels. You can personalise Classic rooms by choosing from our range of glazed sections, doors and interior fittings (pages 46–53).

To make sure you choose a sauna heater with the right output, please refer to the information adjacent to the relevant floor plan.





Grand Luxe sauna rooms.

Grand Luxe rooms come in the same sizes and basic models as the Classic series. The difference is in the choice of timber – the panelling inside and out, plus all the interior fittings, are in natural blonde aspen.

Here too, you can give free rein to your imagination or adapt the exterior to your existing decoration. All you need is a little woodstain, for example.

The welcoming glass door, which can be hung to open either left or right, has a beautifully finished wooden handle and is set firmly into a solid wooden frame. Tinted safety glass and a magnetic door catch come as standard.



Grand Luxe sauna room with outside walls in a stained finish and optional glazed sections 52 and 52 VENT



Inside, the sauna is generously appointed with two broad benches in a split-level design, skirting panels to screen off the gaps between, and an attractively contoured backrest concealing sauna lighting – all in elegant, slender strips of wood.

The tasteful combination of traditional style and coordinated materials ensures that the Grand Luxe sauna blends into most domestic environments. And, with so many sizes to choose from, you're sure to find one that's ideal for your home.

Grand Luxe rooms come in 16 sizes (see floor layout plans on page 44). All are designed to be placed in an existing corner

and have two outer walls finished in covering panels. If you want to personalise your sauna room, you can choose a different door, glazed sections, wall sections with aspen panels inside and out, and a variety of interior fittings from our range of accessories (pages 46–53). Choose Grand Luxe Special if you want to finish the outside of your sauna in tiles or other materials that match the rest of your bathroom décor. It's as versatile as your imagination.

To make sure you choose a sauna heater with the right output, please refer to the information adjacent to the relevant floor plan.



THE GRAND LUXE STANDARD PACKAGE INCLUDES:

Thermally insulated wall and ceiling sections with aspen panelling • Sauna door (DGP) in glass with wooden frame • Interior fittings in slender strips of aspen • Light fittings for placing behind the backrest • Transformer • Aluminium floor frame • Corner/ceiling mouldings • Air vents and assembly hardware

THE GRAND LUXE SPECIAL PACKAGE INCLUDES:

As above, excl. exterior panelling.







Alu Line sauna rooms.

Alu Line is a popular series of sauna rooms characterised by clean lines and a highly distinctive design. Seen from the outside, the large expanses of glass and naturally anodised aluminium profiles create a sensation of restrained elegance that blends in effortlessly with most modern bathroom designs.

As soon as you step inside, you start to experience that genuine sauna feeling. The beautiful wood panelling and the concealed lighting behind the backrests generate a warm, welcoming atmosphere. At the same time, the exquisitely designed benches and backrests send out a clear signal that the Alu Line series belongs to the higher echelons of sauna design.



THE ALU LINE PACKAGE INCLUDES:

Thermally insulated wall and ceiling sections with aspen panelling • Interior fittings in slender strips of beech • Tempered safety glass in door and glazed wall sections, set in an aluminium frame • Light fittings for placing behind the backrest • Transformer • Wall plate for sauna heater • Components for concealing electric connections • Aluminium floor frame • Corner/ceiling mouldings • Air vents and assembly hardware



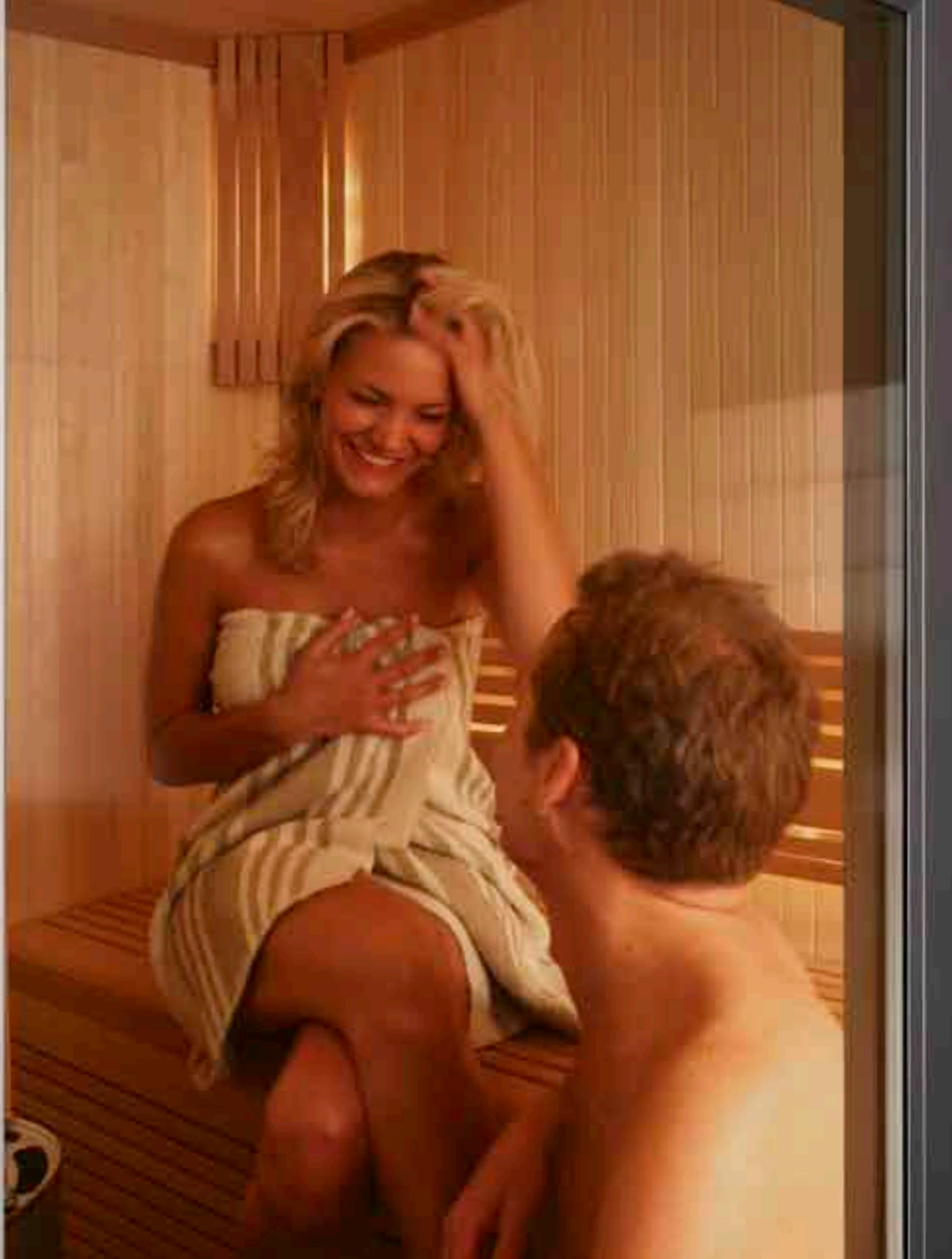
The rooms in the Alu Line series deserve all the attention they attract. The combination of clean, uncluttered lines and materials such as glass, wood and aluminium creates a harmonious appearance that is modern, yet timeless too.

The stylish glass door is protected by sleek, stainless steel trim around the edges

and has elegant handles, sealing strips and a magnetic catch. It can, of course, be hung to open either left or right.

Alu Line rooms come in four sizes, all of which feature space-saving corner doors. (See page 45 for floor plans and details of the optimum sauna heater output).





The large expanses of glass reveal tastefully designed fittings in narrow strips of beech wood. Indirect lighting adds extra appeal to the welcoming interior.

Round Vision sauna rooms.

The uniquely innovative shape of Round Vision has set a totally new standard for what a sauna room can look like. With its large expanses of glass, beautifully rounded front and frame of beech, this sauna is not only an aesthetic exclamation mark in any contemporary bathroom, but also an ingenious solution for providing a sensation of space in settings where space is limited.



The rounded bow-front in smoked glass can be placed to the right or the left of the sauna room. The fully integrated hinged door, with its exquisitely designed handles and magnetic catch, can also be hung to open left or right. And, like all the other glazed sections, it is made from tempered safety glass. The decorative beech soffit follows the elegant lines of the room and incorporates recessed downlights for subtle, subdued lighting.

The inside walls and ceiling, like the rest of the interior fittings, are a tasteful combination of untreated light aspen and beech. Concealed lighting behind the contoured backrest of the comfortable sauna benches spreads a gentle glow throughout the room.

Round Vision comes in two sizes, specially designed for domestic bathrooms. (See page 45 for floor plans and details of the optimum sauna heater output.)

THE ROUND VISION PACKAGE INCLUDES:

Thermally insulated wall and ceiling sections with wooden panelling • Interior fittings in slender strips of beech • Glazed sections and door in tempered safety glass • Light fittings and transformer • Wall plate for sauna heater • Components for concealing electric connections • Aluminium floor frame • Corner/ceiling mouldings • Air vents • Assembly hardware







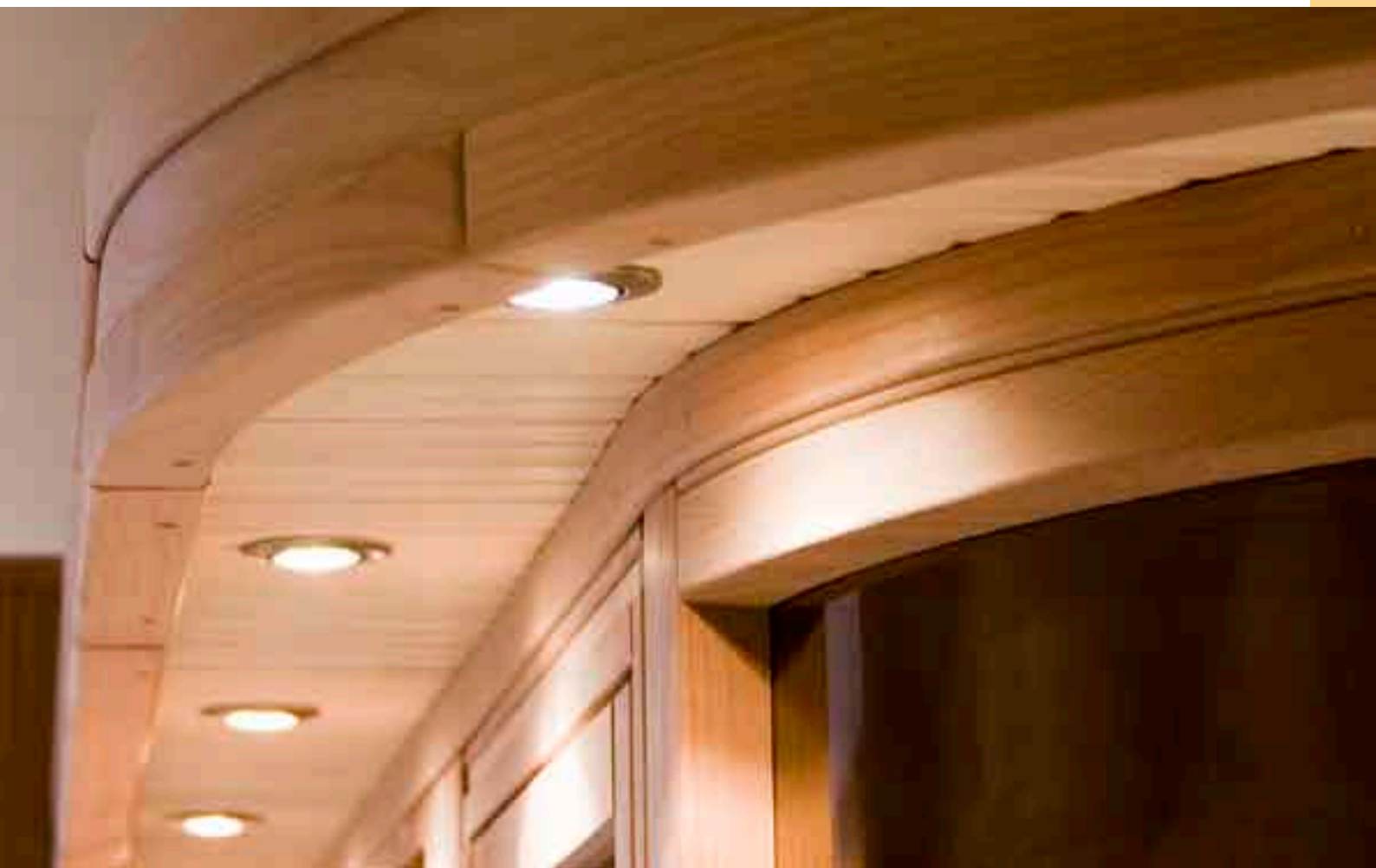


Space Vision sauna rooms.

The name says it all. Space Vision has been designed for those who enjoy saunas surrounded by light and a sensation of space. Among the most distinctive characteristics of this exclusive range of sauna rooms are the bold sweep of the rounded corner, the generous expanses of glass and the tasteful combination of different woods.



The gently rounded front edge of the bench feels extra comfortable against your legs – and provides further proof of Tylö's attention to detail.



Recessed downlights in the decorative soffit bathe the beech of the external walls in an inviting, warm glow. The inside walls and ceiling in natural aspen form an attractive contrast to the slender strips of beech used for the interior fittings. The broad, comfortable benches come complete with skirting panels, while concealed lighting behind the specially contoured backrest enhances the welcoming appeal of the sauna.

The well-made glass door, like all the other glazed sections, is made of smoked,

tempered safety glass, set in a sturdy frame of beech. The door has a handle with magnetic catch. And for maximum flexibility you can, of course, hang the door to open either left or right.

Space Vision comes in three models, all of which can be installed mirror-fashion. See the layouts on page 45, where you can also find out details about the best sauna heater for the different sizes of room.

THE SPACE VISION PACKAGE INCLUDES:

Thermally insulated wall and ceiling sections with wooden panelling • Interior fittings in slender strips of beech • Tempered safety glass in front section • Model 150 has corner access (DGR door) • Models 200 and 250 have front access (DGP door) • Light fittings and transformer • Wall plate for sauna heater • Components for concealing electric connections Aluminium floor frame • Corner/ceiling mouldings • Air vents • Assembly hardware







Midi Vision sauna rooms.

Yes, it is possible for a sauna to feel roomy and yet be compact in size at the same time! The new Midi Vision concept provides visible proof! This exclusive but welcoming design with practical corner access has been specially developed to fit elegantly into both public facilities and home spas.

The shape reflects many of the features of our other Vision models: an attractive exterior with large expanses of glass, and wall panels in the finest aspen, crowned with a decorative soffit with its own recessed downlights. The beautifully rounded glass door can be placed in either corner to open left or right, thus increasing the opportunities to install Midi Vision as part of a well-planned home spa. The door has a sturdy frame of beech and a handle with magnetic catch. The glass, like all other glazed surfaces, is tempered safety glass.

THE MIDI VISION PACKAGE INCLUDES:

Thermally insulated wall and ceiling sections in wooden panelling • Interior fittings in slender strips of beech • Glass door DGR • Light fittings and transformer • Wall plate for sauna heater • Components for concealing electric connections • Aluminium floor frame • Corner/ceiling mouldings • Air vents • Assembly hardware



Once inside, you are met by the same tasteful design as in Space Vision. The walls and ceiling are in blonde aspen, while the backrest, skirting panels and split-level benches are elegantly designed in slender strips of beech. The inviting interior is further enhanced by the pleasant glow from lamps concealed behind the contoured backrests.

The wood handle runs the full length of the gently rounded glass door.



The ceiling soffit is distinguished by exquisite carpentry work and the elegant recessed downlights.



The location of the sauna heater gives you full freedom to place the door on the left or right side of the room – see page 45.



Vital Vision, here with optional extra equipment such as TV, DVD player and refrigerator.

Vital Vision sauna room.

Vital Vision is without a doubt the most exclusive of all our prefabricated sauna rooms. With its specially selected materials, boldly innovative design and generously equipped features, Vital Vision raises the standard in any relaxation suite to the level of a custom-made sauna room.



The most striking feature is the rounded bar section in solid beech with a front of brushed aluminium. The bar is a pleasure to behold, at the same time as it is eminently practical with all its shelves and compartments, bottle rack and room for a small fridge, flatscreen TV and DVD player. Recessed downlights in the decorative soffit spread a gentle light over this natural focal point. Large expanses of glass in beautiful wooden frames keep bathers in touch with what is going on outside.

Inside, you are welcomed by the beautifully sculpted sauna benches and skirting panels, the comfortably contoured backrests and the gentle glow of the concealed lighting. This is a setting that turns every sauna into an experience to be remembered – and leaves every sauna bather feeling invigorated and exhilarated.

Vital Vision is a totally unique design, so it is available in one size only. For dimensions and layout, see page 45. Choose a Tylö wall-mounted 8–10 kW sauna heater to complete the room.



THE VITAL VISION PACKAGE INCLUDES:

Thermally insulated wall and ceiling sections in wooden panelling • Shelving section Bar • Glass door DGP • Light fittings and transformer • Interior fittings in slender strips of beech • Walls fitted with conduits for electric cables • Aluminium floor frame Corner/ceiling mouldings • Air vents • Assembly hardware





Infrared heat.

After more than half a century's experience as an innovator in sauna and steam bath technology the Tylö name has become almost synonymous with this segment. What is less well known is that we have been manufacturing infrared equipment for just as long and that we have acquired a unique fund of know-how and experience of this type of product over the years.

Heat is essential for good health. Regardless of the source – infrared radiation, saunas or steam baths – heat stimulates the body's metabolism and increases the sensation of mental and physical wellbeing.

Radiation such as that produced by Tylö infra-panels penetrates deep into the body and is widely used by beauticians the world over to enhance the efficacy of a number of

skin treatments. Infrared radiation is also used in various types of medical therapy to alleviate the symptoms of rheumatism and aching muscles. Even if a scientific explanation for the medical effects of infrared technology has yet to be formulated, no one can deny the feeling of wellbeing that spreads through the body when the warm rays meet your skin.



Standard Tylö Grand Luxe sauna room, with optional glazed section 52 VENT, finished externally in sober white lacquer. Complemented here with two 710 infra panels between the benches and two 925 infra panels on the wall.

Infra Multi-sauna.

Infrared panels can be used to speed up the heating of a sauna room. The radiation works immediately, so you can start to relax on the sauna benches as soon as you wish, without first having to wait for the sauna heater to warm up the air. This is where Tylö's individual infra-panels come into their own. Install as many as you need for your bathroom.

Tylö infra-panels are top-quality constructions, each with its own on/off switch, inbuilt thermostat and dependable temperature cut-off for safety and peace of mind. They are also stylishly designed with wooden trim in beech and aspen to match the colour of the sauna room walls.

Optimum safety – with temperature cut-off and separate thermostat.

Unsurpassed durability – Tylö's own infrared emitters are of the very highest quality and are your guarantee of peace of mind.

Health-promoting heat – IR-B and IR-C radiation is used in medical therapies and beauty treatments all over the world.

Elegant design with removable decorative trim in beech and aspen to match or contrast with the wooden panelling of the walls.

Infra-panels are designed to fit between the benches and on the walls in all Grand Luxe and Classic sauna rooms, from the smallest up to size 2025.

Infra-panel 710 (Art.no. 9001 1250)

Size: 710 x 340 x 96 mm. 290 W.

Infra-panel 925 (Art.no. 9001 1260)

Size: 925 x 340 x 96 mm. 450 W.

Infra-panel 1070 (Art.no. 9001 1270)

Size: 1070 x 340 x 96 mm. 560 W.

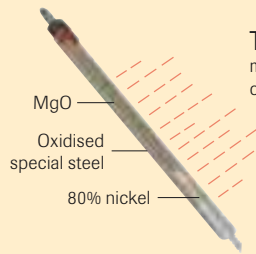
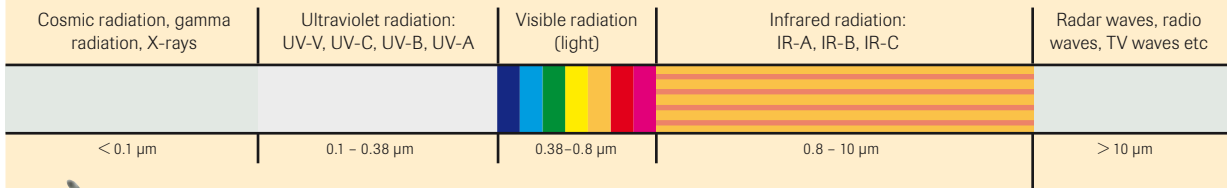
TS-Infra control panel (Art.no. 7010 1000)

Regulates time and temperature settings. For wall-mounting outside the infra cabin. Size: 195 x 255 mm, depth 89 mm. (Inst. size: 167 x 227 x 49 mm)

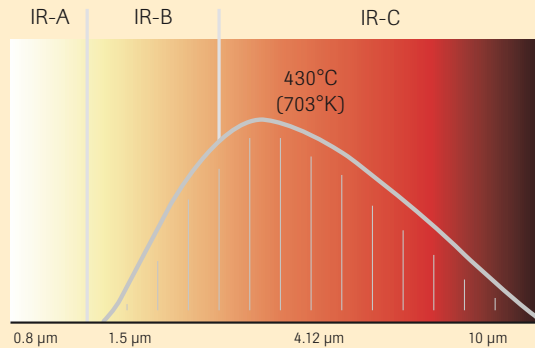
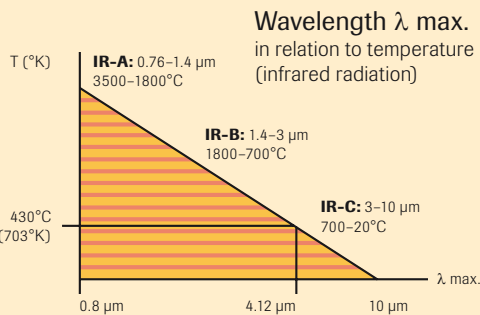


Tylö Infra units emit healthy, beneficial infrared radiation (IR-B and IR-C).

Electromagnetic spectrum λ μm



Tylö infrared heater
max. 430°C (703°K) temperature of outer mantle. λ max. = 4.12 μm



The tubular elements in Tylö Infra cabins have a *low* surface temperature. This produces a wavelength spectrum in the range 1.5–10 μm (λ max. 4.13 μm). As the diagram shows, this wavelength includes a mix of both mid infrared (IR-B) and far infrared (IR-C) radiation.

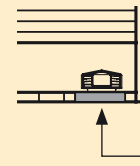
Medical therapies requiring deep penetration tend to use short-wave or "near infrared" radiation (IR-A), which is produced by heat sources with a *high* surface temperature.

$$\lambda \text{ max.} = \frac{2898}{T (^{\circ}\text{K})} \Rightarrow \lambda \text{ max.} = \frac{2898}{(430+273)} = 4.12 \mu\text{m}$$

Freedom of choice is yours – by design.

Here you have a bird's eye view of all our complete, prefabricated sauna rooms. You can see sizes, the correct location of the sauna heater and the layout of the interior fittings. All our sauna rooms can also be installed mirror fashion (except Vital Vision). You can also see which standard wall sections can be replaced by glazed sections. For the sake of clarity we also indicate the optimum heater output for each of the rooms.

All you need to do is measure, compare and decide which sauna room is the best for you.



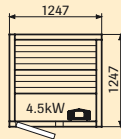
Wall sections shaded in dark grey can be replaced by glazed sections. (See description on pages 46–47.) Please state which wall sections you wish to replace with glazed sections when ordering your sauna room.

Classic & Grand Luxe

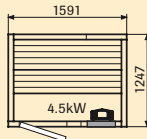
(External roof height 2010 mm for all models)

See current pricelist for article number for respective model and size.

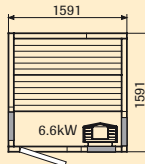
1212



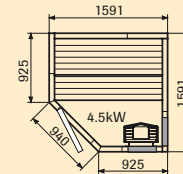
1612



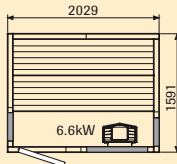
1616



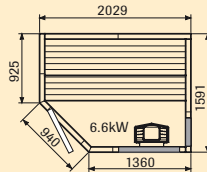
1616 Corner



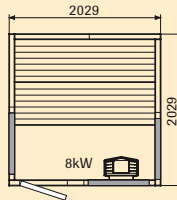
2016



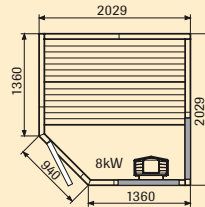
2016 Corner



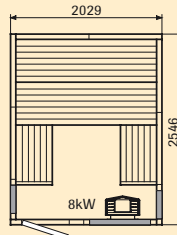
2020



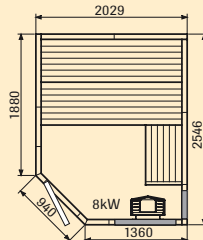
2020 Corner



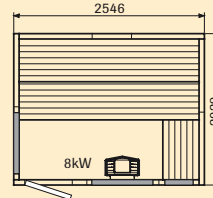
2025



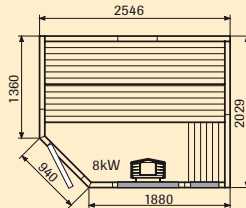
2025 Corner



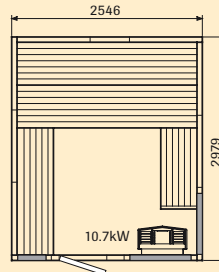
2520



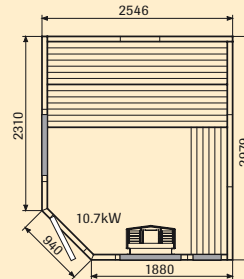
2520 Corner



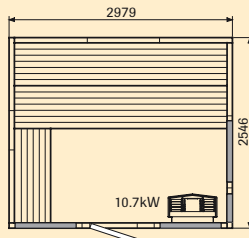
2530



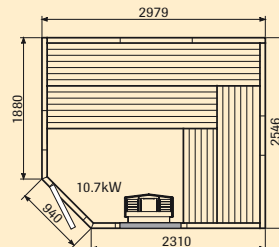
2530 Corner



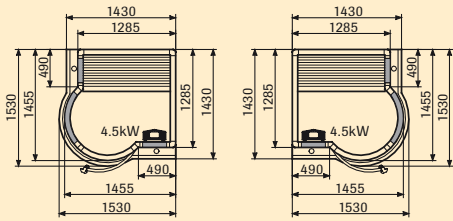
3025



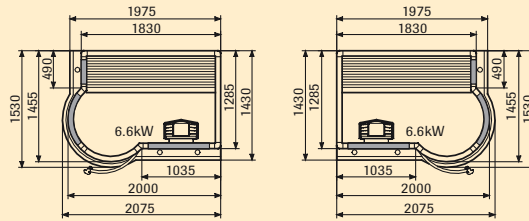
3025 Corner



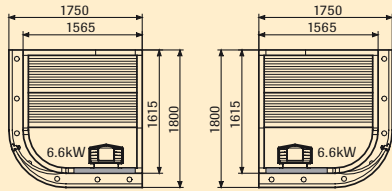
Round Vision 150
(External roof height 2030 mm)



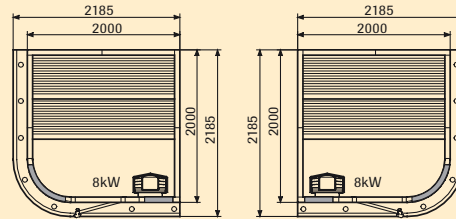
Round Vision 200
(External roof height 2030 mm)



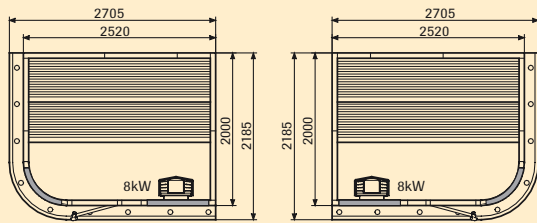
Space Vision 150. corner access.
(External roof height 2030 mm)



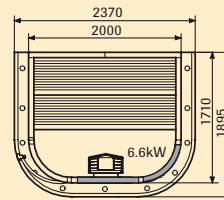
Space Vision 200, front access.
(External roof height 2030 mm)



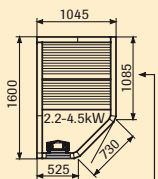
Space Vision 250. front access.
(External roof height 2030 mm)



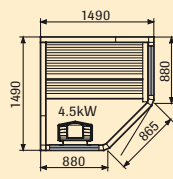
Midi Vision
(External roof height 2030 mm)



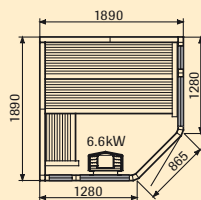
Alu Line 100
(External roof height 1920 mm)



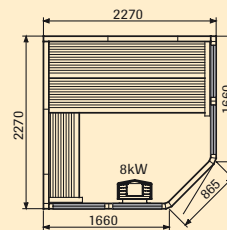
Alu Line 150
(External roof height 1920 mm)



Alu Line 190
(External roof height 1920 mm)

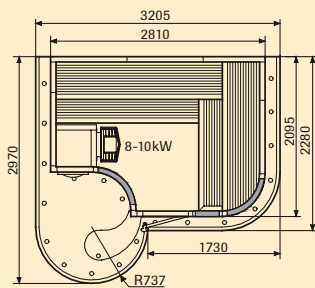


Alu Line 225
(External roof height 1920 mm)



Wooden wall.

Vital Vision*
(External roof height 2030 mm)



* Interior can not be installed mirror fashion.



Glazed sections.

As the world's leading sauna manufacturer Tylö offers you the opportunity to create the sauna of your dreams – even when you choose a prefabricated construction. You can always transform the interior and exterior design of the sauna with alternatives and accessories from the Tylö range.

Replacing panelled walls with glass enhances the sensation of space, lets in more light and increases the pleasure of sauna bathing. You can keep in touch with what's happening outside the sauna room and turn your entire relaxation suite into a single, fully integrated unit. And, as the glazed sections are all made by Tylö, you can be sure that they meet the very highest criteria for safety and the quality of the finish.



Prefabricated glazed sections in 6 mm tempered safety glass with solid wood frames in blonde aspen or beech, which is slightly darker in shade.

The glazed sections shown here are recommended for use in Classic and Grand Luxe sauna rooms. The layouts on the previous spread show which wall sections may be replaced by glazed sections.

Glazed section 95

Smoked, tempered safety glass in a solid wood frame. Height 1900 mm, Width 964 mm.

Aspen (Art. no. 9512 6051)

Beech (Art. 9104 5060)

Glazed section 95 VENT

As above, but with a wall vent and wall panel for installing a sauna heater.

Aspen (Art. no. 9512 6053)

Beech (Art. 9104 5060)

Glazed section 52

Smoked, tempered safety glass in a solid wood frame. Height 1900 mm, Width 530 mm.

Aspen (Art. no. 9512 6055)

Beech (Art. 9104 5060)

Glazed section 52 VENT

As above, but with a wall vent and wall panel for installing a sauna heater.

Aspen (Art. no. 9512 6057)

Beech (Art. 9104 5060)



Sauna doors.

Every door that bears the Tylö name is of the very highest quality, specially manufactured to withstand the extreme differences in temperature inside and outside the sauna without warping or becoming deformed. All Tylö doors are equipped with a safe, reliable magnetic catch and can be hung to open either left or right.

Would you like a sauna door in a different size or different material? Simply request a quotation.



Sauna door DW-190 Spruce

(Art. no. 9103 0010)

Classic model with one large window in tinted, tempered safety glass and beautiful knot-free spruce panelling inside and out. Frame size: 1850 x 710 x 68 mm, width of opening 1738 x 598 mm.

Sauna door DW-190 Aspen

(Art. no. 9103 0000)

As above, but panelled inside and out with blonde aspen. Frame size: 1850 x 710 x 68 mm, width of opening 1738 x 598 mm.



Sauna door DGM-63-190

Door of tinted, tempered safety glass set in a frame of aspen. Sturdy aluminium hinges concealed beneath a decorative, stainless steel housing. Comes complete with silicone sealing strip. Frame size: 1850 x 622 x 68 mm, width of opening 1738 x 510 mm.

Spruce, tinted glass (Art. no. 9103 1060)

Spruce, clear glass (Art. no. 9103 1065)

Aspen, tinted glass (Art. no. 9103 1050)

Aspen, clear glass (Art. no. 9103 1055)

Sauna door DGM-72 -190

As above, but with frame size 1850 x 710 x 68 mm and width of opening 1738 x 598 mm.

Spruce, tinted glass (Art. no. 9103 1020)

Spruce, clear glass (Art. no. 9103 1025)

Aspen, tinted glass (Art. no. 9103 1000)

Aspen, clear glass (Art. no. 9103 1014)

Beech, tinted glass (Art. no. 9103 1015)

Sauna door DGM-72-190

As above, but with frame size 2000 x 710 x 68 mm and width of opening 1888 x 598 mm.

Spruce, tinted glass (Art. no. 9103 1030)

Spruce, clear glass (Art. no. 9103 1035)

Aspen, tinted glass (Art. no. 9103 1037)

Aspen, clear glass (Art. no. 9103 1036)

Sauna door DGM-72-210

As above, but with frame size 2100 x 710 x 68 mm and width of opening 1988 x 598 mm.

Spruce, tinted glass (Art. no. 9103 1040)

Spruce, clear glass (Art. no. 9103 1045)

Aspen, tinted glass (Art. no. 9103 1047)

Aspen, clear glass (Art. no. 9103 1046)



Sauna door DGM-101-210 Spruce
(Art. no. 9103 1075)

Door of tinted, tempered safety glass set in a frame of spruce. Sturdy aluminium hinges concealed beneath a decorative, stainless steel housing. Comes complete with silicone sealing strip. An extra wide opening without a sill for easy wheelchair access. (Sill available as optional extra.) The door leaf is reinforced with a protective, stainless steel edging strip. Frame size: 2100 x 1012 x 68 mm, width of opening 900 mm.

Sauna door DGM-101-190 Spruce
(Art. no. 9103 1085)

As above, but with frame size of 1900 x 1012 x 68 mm and width of opening 900 mm.



Sauna door DGP-190 Aspen
(Art. no. 9103 2050)

Exclusive sauna door in 6 mm tinted, tempered safety glass set in a sturdy frame of solid aspen. Magnetic catch. The elegant handle runs the full height of the door. Frame size: 1850 x 710 x 68 mm, width of opening 1738 x 598 mm.

Sauna door DGP-190 Beech
(Art. no. 9103 2040)

As above, but with a frame of solid beech.



Sauna door DGR-190 Beech

(Art. no. 9103 2030)

A truly exclusive sauna door. Made of bowed 6 mm tinted, tempered safety glass in a frame of solid beech. Handle with magnetic catch. Frame size: 1900 x 786 x 71 mm, width of opening 1788 x 618 mm.



Automatic door-closer

(Art. no. 9030 1030)

Fits to the side of the door with the hinges, to close the door from a fully open position. For gentle, controlled closure, complement this with the hydraulic shutting device described below.



Shutting device for wooden doors

(Art. no. 9030 1000)

May be combined with the door-closer above to close wooden sauna doors gently and smoothly.

Shutting device for glass doors

(Art. no. 9030 1010)

May be combined with the door-closer above to close glass sauna doors gently and smoothly.



Interior fittings in narrow strips of beech.

Interior fittings.

Buying the interior fittings ready-made saves time when building a sauna, or when renovating or refurbishing your old sauna room.

All the products are available in three finishes, aspen in broad strips and aspen or beech in slender strips. All three alternatives combine a modern design with the time-honoured sensation of true craftsmanship – and all can be sawn to size for a perfect fit.

For full details of the sizes of all our prefabricated sauna rooms, please refer to the sauna room layouts on pages 44–45.

SAUNA BENCHES

Prefabricated sauna benches in solid aspen or beech. Sturdy glued-and-dowelled construction with no visible screws. Can be sawn to the desired length.

BENCHES Type	Size (mm)	Aspen (broad strips) Art. no.	Aspen SR (narrow strips) Art. no.	Beech SR (narrow strips) Art. no.
Bench 75	755 x 480	9023 1200	9023 1400	9023 1500
Bench 107 S	1070 x 397	9023 1202	9023 1402	9023 1502
Bench 107	1070 x 480	9023 1203	9023 1403	9023 1503
Bench 127	1275 x 480	9023 1205	9023 1405	9023 1505
Bench 142 S	1420 x 397	9023 1207	9023 1407	9023 1507
Bench 142	1420 x 480	9023 1208	9023 1408	9023 1508
Bench 171	1710 x 480	9023 1210	9023 1410	9023 1510
Bench 181	1810 x 565	9023 1213	9023 1412	9023 1512
Bench 185 S	1850 x 480	9023 1218	9023 1414	9023 1514
Bench 185	1850 x 565	9023 1220	9023 1415	9023 1515
Bench 237	2370 x 565	9023 1230	9023 1420	9023 1520
Bench 280	2800 x 565	9023 1240	9023 1425	9023 1525

SKIRTING PANELS

Prefabricated wooden panels used to screen off the gap between benches. Manufactured in aspen or beech. Can be sawn to the desired length.

SKIRTING PANELS Type	Size (mm)	Aspen (broad strips) Art. no.	Aspen SR (narrow strips) Art. no.	Beech SR (narrow strips) Art. no.
Skirting 75	755 x 320	9039 4060	9039 4300	9039 4400
Skirting 107	1070 x 320	9039 4061	9039 4305	9039 4405
Skirting 127	1275 x 320	9039 4062	9039 4310	9039 4410
Skirting 142	1420 x 320	9039 4063	9039 4315	9039 4415
Skirting 171	1710 x 320	9039 4064	9039 4320	9039 4420
Skirting 181	1810 x 320	9039 4065	9039 4325	9039 4425
Skirting 185	1850 x 320	9039 4066	9039 4330	9039 4430
Skirting 237	2370 x 320	9039 4067	9039 4335	9039 4435
Skirting 280	2800 x 320	9039 4068	9039 4340	9039 4440

BACKRESTS

These prefabricated backrests in aspen or beech are comfortably shaped and also conceal the light fittings to create pleasant subdued lighting in the sauna room. Can be sawn to the desired length.

BACKRESTS Type	Size (mm)	Aspen (broad strips) Art. no.	Aspen SR (narrow strips) Art. no.	Beech SR (narrow strips) Art. no.
Backrest 99	990 x 270	9039 3000	9039 3200	9039 3300
Backrest 119	1190 x 270	9039 3005	9039 3205	9039 3305
Backrest 138	1380 x 270	9039 3010	9039 3210	9029 3310
Backrest 174	1740 x 270	9039 3015	9039 3215	9039 3315
Backrest 214	2140 x 270	9039 3020	9039 3220	9039 3320
Backrest 226	2260 x 270	9039 3025	9039 3225	9039 3325
Backrest 269	2690 x 270	9039 3035	9039 3235	9039 3335

ARMRESTS

For 480 mm bench. Prefabricated armrests for safety and support when sauna benches do not span the full distance between walls. Manufactured in aspen or beech.

ARMRESTS Type	Size (mm)	Aspen (broad strips) Art. no.	Aspen SR (narrow strips) Art. no.	Beech SR (narrow strips) Art. no.
Armrest	510 x 750	9039 4200	9039 4204	9039 4206



Interior fittings in narrow strips of aspen.

Interior fittings in broad strips of aspen.



Classic Tylö sauna heaters for domestic use.

Over the years Tylö has pioneered numerous innovations to improve and develop the function, safety and enjoyment of sauna bathing. Today's Tylö heaters are the pinnacle of sauna technology, and our classic models excel over other brands in one crucial area after the other. You only have to look at the design, the precision and the quality of the finish to see that. But the difference in class really begins to show once the heater is switched on – and you can begin to switch off.

Our classic Tylö heaters for home saunas are available with a separate wall-mounted control panel outside the sauna room, or with dials for controlling time and temperature integrated into the heater itself. Whatever model you choose, you can be sure it includes all the features that have made Tylö a byword for quality among sauna aficionados all over the world.

Record-quick heating-up time

The unique Tylö construction incorporates twin side chambers and heat directors for the most effective air circulation.

Low energy consumption

The divided output construction has been a patented feature of Tylö heaters for many years. It means the heater automatically reverts to stand-by as soon as the desired bathing temperature has been reached and then maintains a constant bathing temperature.

Comfortable bathing climate

An integral humidifier that you fill with water when you switch on the sauna heater ensures a pleasant, constant level of humidity – just as it should be in a true Tylö sauna.

100% vaporisation

The large, deep Tylö stone compartment and direct contact between the stones and the heating elements combine to produce a truly outstanding vaporisation performance when water is sprinkled over the stones.

Safe and reliable

Temperature cut-off, thermostat and temperature sensor are just three of the carefully engineered key components that ensure safety in use.

Finest materials

The stainless steel stone compartment and solid-cast aluminium top are two features that reflect our philosophy of using only materials that meet the highest of criteria.

Long life

Our heating elements – the heart of every sauna heater – are manufactured under rigorously controlled conditions to safeguard function and prolonged durability.





Classic sauna heaters and control panels.



Sauna heaters with integral control functions

(Excl. sauna stones.)

Compact 2/4 (Art. no. 6220 2000)

A heater for small sauna rooms. Stone compartment for use with Mini sauna stones. Control panel with thermostat and mechanical timer integrated into the base of the heater. Max. 3 hours running time. 0–9 hour preset. 2.2–4.5 kW convertible for connection to 230 V (single-phase) or 400 V (two-phase with neutral). For sauna rooms 1.5–4.5 cu.m.



(Excl. sauna stones.)

Sport 6 (Art. no. 6210 3009)

With control panel, thermostat and mechanical timer integrated into the base of the heater. Max. 3 hours running time. 0–9 hour preset. 6.6 kW output for sauna rooms 4–8 cu.m.

Sport 8 (Art. no. 6210 4009)

As above, but with 8 kW output for sauna rooms 6–12 cu.m.



Sauna heaters with flexible-location control panel

(Excl. sauna stones.)

MPE 6 (Art. no. 6320 2009)

With an easily accessible electronic control panel that shows time and temperature with light diodes on a scale of 1–10. Max. 3 hours running time. 0–10 hour preset. 6.6 kW output for sauna rooms 4–8 cu.m. Delivered inclusive of 2,5 m cable and mounting bracket for optional installation.

MPE 8 (Art. no. 6320 3009)

As above, but with 8 kW output for sauna rooms 6–12 cu.m.



The control panel may be placed inside the sauna room for easy access (max. 1 metre above floor level), outside the sauna room or on either side of the sauna heater itself.





Sauna heaters for use with TS control panel

(Excl. sauna stones.)

SK 6 (Art. no. 6010 2009)

Requires separate thermostatic control panel type TS. 6.6 kW output for sauna rooms 4–8 cu.m.

SK 8 (Art. no. 6010 3009)

As above, but with 8 kW output for sauna rooms 6–12 cu.m.



Sauna heaters for use with CC control panel

(Excl. sauna stones.)

SE 6 (Art. 6020 2019)

Requires separate electronic control panel type CC. 6.6 kW output for sauna rooms 4–8 cu.m.

SE 8 (Art. 6020 3019)

As above, but with 8 kW output for sauna rooms 6–12 cu.m.





TS thermostatically controlled panels

TS 16-3 (Art. no. 7020 2000)

Control panel for SK 6 and SK 8 for installation outside the sauna room (max. distance 1.8 m). Robust, reliable construction with timer, 0–9 hour preset and max. 3 hours running time, thermostat and pilot lamp. Energy-saving function reduces sauna heater output as soon as the air has been heated to the desired temperature. Capillary tube: 1.8 m. Size: 195 x 255 mm, depth 89 mm (installation size: 167 x 227 x 49 mm). IP 24.

TS 16-3 B (Art. 7020 2002)

As above, with on/off switch for sauna lighting.

TS panels are also available with 5-metre long capillary tubes.



CC electronic control panels

CC 10 (Art. 7121 3000)

Electronic control panel for SE 6 and SE 8 heaters. Designed for wall-mounted installation outside the sauna. Simple to operate. Light diodes display time and temperature settings on a numbered scale. Max 3–10 hours running time. 0–10 hour preset. Low-voltage connection gives more flexibility when locating the control panel at a distance from the heater. May also be connected to an external switch or linked to a computer for remote control operation. Including external temperature sensor. (See installation instructions for location.) Size: 100 x 150 mm, depth 30 mm. IP 24.

C10 Recessed (Art. 7101 3040)

As above, but for installation recessed into the wall.

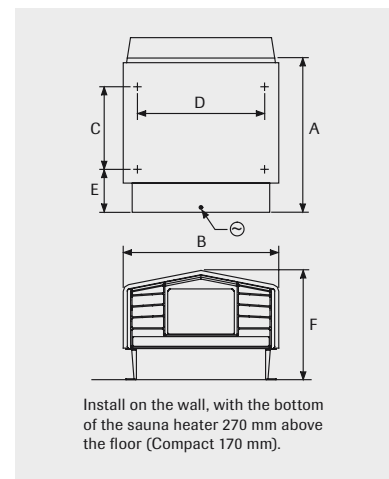


CC 50 (Art. 7121 4005)

Display for time and temperature, switch for lighting, and security code function. Programmable for 1, 3, 12 and 24 hours or continuous operation. 0–10 hour preset. Add relay box RB to complete when installing for use with an SD heater. Size: 130 x 190 mm, depth 27 mm. IP 24.

Tylö sauna heaters – technically speaking.

A word of advice: Always choose the highest recommended output in relation to the volume of the sauna. This is especially important in log saunas and saunas with glazed wall sections. The greater the heat output in relation to the size of the sauna room, the lower the overall energy consumption. This means, for example, that in a sauna room with a volume of 4 cubic metres, a 6.6 kW heater is a better choice than a 4.5 kW heater.



Sauna heater	Output kW	Sauna volume (cu.m.)	Minimum gap to side wall (mm)	Minimum height to ceiling in sauna (mm)	Suitable control panel	Weight without stones kg	Weight of stones kg	Sizes in mm (see sketches above)					
								A	B	C	D	E	F
Compact 2/4	2.2 – 4.5	1.2 – 4.5*	50	1900	Built-in	6	7	400	310	195	260	135	170
Sport 6	6.6	4 – 8	110	1900	Built-in	13	10	435	455	240	410	125	315
Sport 8	8	6 – 12	110	1900	Built-in	15	12	505	455	240	410	170	315
MPE	6.6	4 – 8	110	1900	Included	13	10	435	455	240	410	125	315
MPE	8	6 – 12	110	1900	Included	15	12	505	455	240	410	170	315
SK 6	6.6	4 – 8	110	1900	TS 16 or TS 30	13	10	435	455	240	410	125	315
SK 8	8	6 – 12	110	1900	TS 16 or TS 30	15	12	505	455	240	410	170	315
SE 6	6.6	4 – 8	110	1900	Optional CC	13	10	435	455	240	410	125	315
SE 8	8	6 – 12	110	1900	Optional CC	15	12	505	455	240	410	170	315

* Max 2.5 cu.m. for 2.2 kW.

Tylö Mega sauna heaters for domestic use.

It's easy to understand why the contemporary styling of Mega sauna heaters has attracted such interest in the market. But another good reason for the success of this new series of heaters for traditional sauna bathing is the capacious stone compartment that provides the optimum conditions for prolonged water vaporisation.

Mega heaters are made in part from stainless steel, and incorporate heating elements and other components of the finest quality – your assurance of long life and dependability. All Mega models for domestic use have an easily accessible integral control panel to set bathing time and temperature.

Efficient air circulation

Mega heaters incorporate the unique Air Flow System – a concept that balances the heat and air supply to ensure that the water vaporisation process is gentle and relaxing.

Long-lasting vaporisation

The deep stone compartment and the generous quantity of stones prolong the vaporisation process and make it gentler and more soothing.

Large stone compartment

The inimitable sensation of traditional sauna bathing is reinforced visually by the large stone compartment of the Mega heaters. They hold up to 30 kilos of sauna stones depending on the model.

Top quality materials

The high quality of Mega heaters is emphasised by the carefully selected materials. For example, both the inner and outer casing and the stone compartment itself are made of stainless steel.

Tylö sauna heaters – technically speaking.

A word of advice: Always choose the highest recommended output in relation to the volume of the sauna. This is especially important in log saunas and saunas with glazed wall sections. The greater the heat output in relation to the size of the sauna room, the lower the overall energy consumption. This means, for example, that in a sauna room with a volume of 4 cubic metres, a 6.6 kW heater is a better choice than a 4.5 kW heater.

Sauna heater	Output kW	Sauna volume (cu.m.)	Minimum gap to side wall (mm)	Minimum height to ceiling in sauna (mm)	Suitable control panel and relay box	Distance floor – heater (mm)	Weight without stones kg	Weight of stones kg	Sizes in mm width x depth x height
SO 6	6	4 – 8	50	1900	Built-in	200	11	30	420 x 390 x 480
SO 8	8	6 – 12	80	1900	Built-in	200	12	30	420 x 390 x 480
Super 10	10	10 – 17	100	1900	Built-in	200	16	22	370 x 450 x 590



Sauna heaters with integral control panels

(Excl. sauna stones.)

SO 6 (Art. 6205 3003)

Integral control panel with thermostat and timer located on the top rear of the heater. Max. 3 hours running time. 0–9 hour preset. For wall mounting. 6 kW output for sauna rooms 4–8 cu.m.

SO 8 (Art. 6205 3013)

As above, but with 8 kW output for sauna rooms 6–12 cu.m.

Super 10 (Art. 6305 0133)

An electronic control panel easily accessible on the circular heater-guard shows time and temperature. Max. 3 hours running time. 0–10 hour preset. For wall mounting. 10 kW output for sauna rooms 10–17 cu.m.

Classic Tylö sauna heaters for professional facilities.

For decades Tylö has been the obvious choice for saunas in hotels, clubs, swimming baths and sports facilities. Professionally managed environments like these prioritise reliability and low energy consumption, while frequent use subjects both designs and materials to punishing treatment.

Thanks to their tried-and-tested construction, intelligently conceived functions and materials of the very finest quality, our classic SD heaters are more than a match for tough criteria like these. No wonder they're such a common sight in public saunas all over the world!

Energy-saving stand-by function

Stand-by is another Tylö innovation that saves energy (and money, too!) in public facilities. During off-peak periods the sauna heater reduces its heating output to a stand-by level. This can then be rapidly increased to the desired temperature when bathers arrive.

Unsurpassed durability

Tylö is the only sauna manufacturer in the world to make its own heating elements, the most vital component in any sauna heater. This gives us full insight into the quality-controlled manufacturing process – and ensures that Tylö elements live up to the toughest demands for function and durability.

Outstanding vaporisation

The unique construction of Tylö heaters means that the heating elements are in direct contact with the stones in the deep, generously proportioned stone compartment. This produces the highest possible sauna stone temperature and a super-swift vaporisation effect that no other heater can match.

Wall-mounted design

A wall-mounted heater not only maximises space inside the sauna, but it also makes the room easier to clean and more hygienic.

Unique seal of approval

Tylö heaters are the only ones on the market that are also approved for use without sauna stones, which reduces heating-up times and energy consumption. **IMPORTANT:** Never sprinkle water on sauna heaters without stones.

Unparalleled safety

The highest quality components and materials, backed up by careful tests at every stage of the production process, are just two of the reasons why Tylö sauna heaters have been synonymous with good quality for more than 50 years.



Sauna heaters for use with separate control panels

(Excl. sauna stones.)

SDK 10 (Art. 6410 1009)

Requires separate control panel type TS 16, TS 30 or CC with relay box RB 30. 10.7 kW output. For sauna rooms 10–18 cu.m. **IMPORTANT!** 7-core cable between control panel/relay box and heater.

SD 16

400 V 3-phase (Art. 6410 3000)

230 V 3-phase (Art. 6410 3001)

Requires separate control panel type TS 30 or CC with relay box RB 30. 16 kW output for sauna rooms 15–35 cu.m. **IMPORTANT!** 7-core cable between control panel/relay box and heater.

SD 20

400 V 3-phase (Art. 6410 4000)

230 V 3-phase (Art. 6410 4001)

As above, but with 20 kW output. Use together with a separate control panel type TS 58-12 RB or a CC panel with relay box RB 60. For sauna rooms 22–43 cu.m. **IMPORTANT!** 7-core cable between control panel/relay box and heater.



Electronic control panels CC

Electronic models for touch control or remote control of the sauna climate. May also be connected to an external switch or linked to a computer. Energy-saving divided output function. IP 24.

Thermostatically controlled panels TS

TS 30-03 (Art. 7021 2010)

Thermostatically controlled panel for SDK 10 and SD 16 heaters. For wall installation outside the sauna room (max. distance 1.8 m). Timer for up to 3 hours running time. 0–9 hour preset. Standard capillary tube: 1.8 m. Size: 195 x 255 mm, depth 89 mm (installation size: 167 x 227 x 49 mm). IP 24.

TS 30-012 (Art. 7021 2020)

As above, but with 12 hours running time. No preset function.

5 metre capillary tube

For panels TS 30-03 and TS 30-012.

Locking covers

Transparent acrylic. Suitable for all TS control panels.

Cover A (Art. 9010 1000)

Prevents unauthorised access to time and temperature settings.

Cover B (Art. 9010 1010)

Prevents unauthorised access to temperature setting.



CC 50 (Art. 7121 4005)

Display for time and temperature, switch for lighting, and security code function. Programmable for 1, 3, 12 and 24 hours or continuous operation. 0–10 hour preset. Add relay box RB to complete when installing for use with an SDK/SD heater. Size: 130 x 190 mm, depth 27 mm.



CC 300 (Art. 7111 5150)

Switchable to run between 0.5 and 24 hours and has a display that indicates temperature, remaining operating time, day and time. In addition the CC 300 is equipped with a switch for lighting, English instructions, and memory, security code and energy-saving stand-by functions. Thanks to the integral weekly timer, the CC 300 also offers optional automatic on/off operation and stand-by mode at pre-selected times on the days of your choice. The control panel can be operated from an external control point. Size: 130 x 190 mm, depth 27 mm. Protection class: IP 24.

Relay boxes

Relay box RB 30

(Art. 7101 6006)

Use with your choice of CC panel to control sauna heaters SDK 10 and SD 16. Size: 230 x 310 mm, depth 75 mm.



Relay box RB 60 (Art. 7101 6007)

As above for sauna heater SD 20. Size: 305 x 350 mm, depth 125 mm.

OPTIONAL ACCESSORIES

External switch (Art. 9090 8040)

On/off switch to control sauna from locations other than where the CC control panel is installed.



Decorative surround

Decorative surround

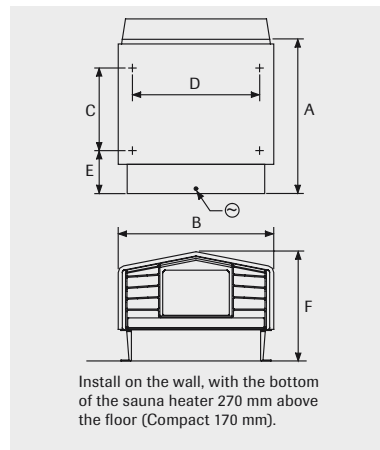
Decorative surround for control panels CC 50 and CC 100. Size: 150 x 210 mm.

Choose from three finishes:

Aluminium (Art. 9000 1050)

Stainless steel (Art 9000 1051)

Brushed steel (Art. 9000 1052).



Tylö sauna heaters – technically speaking.

A word of advice: Always choose the highest recommended output in relation to the volume of the sauna. This is especially important in log saunas and saunas with glazed wall sections. The greater the heat output in relation to the size of the sauna room, the lower the overall energy consumption. This means, for example, that in a sauna room with a volume of 4 cubic metres, a 6.6 kW heater is a better choice than a 4.5 kW heater.

Sauna heater	Output kW	Sauna volume (cu.m.)	Minimum gap to side wall (mm)	Minimum height to ceiling in sauna (mm)	Suitable control panel	Weight without stones kg	Weight of stones kg	Sizes in mm (see sketches above)					
								A	B	C	D	E	F
SDK 10	10.7	10 – 18	150	1900	TS 16, TS 30, CC + RB 30	30	25	570	650	310	600	165	395
SD 16	16	15 – 35	150	2100	TS 30, CC + RB 30	32	25	570	650	310	600	165	395
SD 20	20	22 – 43	150	2100	CC + RB 60	32	25	570	650	310	600	165	395

Tylö Mega sauna heaters for public facilities.

Mega is a new family of sauna heaters that combine the traditional pleasures of sauna bathing with clean, contemporary lines. One of the heaters' distinguishing features is the capacious stone compartment that provides optimum conditions for prolonged water vaporisation. Mega heaters also incorporate the special "Air Flow System" – a unique construction that balances the heat and air supply to ensure that the water vaporisation process feels extra gentle and relaxing.

Mega heaters for professional use are available with outputs from 10 to 22 kW, as floor models and with a separate control panel. All models are made more or less entirely from stainless steel, and incorporate heating elements and other components of the finest quality. That helps to ensure long life and dependability, which in turn makes these heaters ideally suited for use in public bathing facilities.



Energy-saving stand-by function

Stand-by is a unique Tylö innovation that saves energy (and money, too!) in public facilities. With the help of modern technology the heating output is reduced to a stand-by level during off-peak periods before being automatically increased to the desired temperature when bathers arrive.

Unsurpassed durability

Here at Tylö we have made the decision to manufacture our own heating elements – the most vital component in any sauna heater. This gives us full control over the entire manufacturing process and ensures that Tylö elements live up to the toughest demands for function and durability.

Large stone compartment

Mega heaters have extra large stone compartments to hold between 25 and 55 kilos of sauna stones, depending on the model. This ensures a prolonged and pleasant water vaporisation process in the sauna.

Top quality materials

The high quality of the Mega concept is emphasised by the carefully selected materials. For example, both the inner and outer casing and the stone compartment are made of stainless steel.

Remote control of the sauna

One of the advantages of complementing a Mega heater with a separate control panel is that this enables you to program in a variety of bathing cycles and bathing times.

Wide choice of models

Large Mega heaters for professional use are available with outputs from 10 to 22 kW, as wall-mounted or floor models, and with an integral or separate control panel.

Floor-mounted

Mega heaters are floor-mounted to give you plenty of layout options, especially when planning and furnishing large sauna rooms.



Mega sauna heaters for professional use.



Sauna heaters with separate control panel

(Excl. sauna stones.)

Mega EP 100 (Art. 6405 0003)

Requires separate control panel type TS 16, TS 30 or CC and relay box RB 30. Floor-mounted. 10 kW output for sauna rooms 10–17 cu.m.

Mega EH 150 (Art. 6405 0023)

Requires separate control panel type TS 30 or CC and relay box RB 30. Floor-mounted. 15 kW output for sauna rooms 14–34 cu.m.

Mega EZ 225 (Art. 6405 0053)

Requires separate control panel type TS 30 or CC and relay box RB 60. Floor-mounted. 22 kW output for sauna rooms 22–45 cu.m.



Thermostatically controlled panels TS

Mechanical control panels with features that include a timer, temperature dial, on/off switch and pilot lamp. Robust, reliable construction with energy-saving divided output. Size: 195 x 255 mm, depth 89 mm (installation size: 167 x 227 x 49 mm). IP 24.

TS 30-03 (Art. 7021 2010)

Max. 3 hours running time. 0–9 hour preset. For use with Mega EP 100, EH 150 and EZ 225 heaters. Capillary tube: 1.8 m.

TS 30-012 (Art. 7021 2020)

As above, but with 12 hours running time.

ACCESSORIES

5 m capillary tube

For use with TS 30-03 and TS 30-012 control panels above.

Locking cover

Transparent acrylic. Suitable for all TS control panels.

Cover A (Art. 9010 1000)

Prevents unauthorised access to time and temperature settings.

Cover B (Art. 9010 1010)

Prevents unauthorised access to temperature setting.



Electronic control panels CC

Electronic models for touch control or remote control of the sauna climate. May also be connected to an external switch or linked to a computer. Energy-saving divided output function. IP 24.

CC 50 (Art. 7121 4005)

Display for time and temperature, switch for lighting, and security code function. Programmable for 1, 3, 12 and 24 hours or continuous operation. 0–10 hour preset. Add relay box RB to complete when installing with a Mega heater. Size: 130 x 190 mm, depth 27 mm.

CC 300 (Art. 7111 5105)

Switchable to run between 0.5 and 24 hours and has a display that indicates temperature, remaining operating time, day and time. In addition the CC 300 is equipped with a switch for lighting, English instructions, and memory, security code and energy-saving stand-by functions. Thanks to the integral weekly timer, the CC 300 also offers optional automatic on/off operation and stand-by mode at preselected times on the days of your choice. The control panel can be operated from an external control point. Size: 130 x 190 mm, depth 27 mm. Protection class: IP 24.

Relay boxes

Relay box RB 30

(Art. 7101 6006)

Use with your choice of CC panel to control sauna heaters Mega EP 100 and EH 150. Size: 230 x 310 mm, depth 75 mm.



Relay box RB 60 (Art. 7101 6007)

As above, but for sauna heater Mega EZ 225. Size: 305 x 350 mm, depth 125 mm.

OPTIONAL ACCESSORIES

External switch (Art. 9090 8040)

On/off switch to control sauna from locations other than where the CC control panel is installed.



Decorative surround

Decorative surround for control panels CC 50 and CC 100. Size: 150 x 210 mm.

Choose from three finishes:

Aluminium (Art. 9000 1050)

Stainless steel (Art. 9000 1051)

Brushed steel (Art. 9000 1052).

Tylö sauna heaters – technically speaking.

A word of advice: Always choose the highest recommended output in relation to the volume of the sauna. This is especially important in log saunas and saunas with glazed wall sections. The greater the heat output in relation to the size of the sauna room, the lower the overall energy consumption. This means, for example, that in a sauna room with a volume of 4 cubic metres, a 6.6 kW heater is a better choice than a 4.5 kW heater.

Sauna heater	Output kW	Sauna volume (cu.m.)	Minimum gap to side wall (mm)	Minimum height to ceiling in sauna (mm)	Suitable control panel and relay box	Distance floor – heater (mm)	Weight without stones kg	Weight of stones kg	Sizes in mm width x depth x height
EP 100	10	10 – 17	80	1900	TS 16, CC + RB 30	–	11	25	360 x 420 x 650
EH 150	15	14 – 34	100	2300	TS 30, CC + RB 30	–	25	45	480 x 540 x 780
EZ 225	22	22 – 45	100	2300	TS 30, CC + RB 60	–	27	55	560 x 550 x 900

Steam saunas at home.

Steam saunas are a variation on the traditional sauna concept that we can warmly recommend. The difference is that you enjoy a steam sauna at a lower temperature, but with much higher humidity (up to 70%). In practice, this means a more gentle, more relaxing bathing sensation – a “soft sauna” as it is sometimes described.

To enjoy the relaxing properties of a steam sauna at home, simply choose a Tylö Combi heater. It's the perfect choice for all types of sauna bathing – dry, wet, or in clouds of soothing steam. And you can enhance the experience with the fragrance of natural herbs or liquid essences. For the same effect in public facilities, simply complement a Tylö SD sauna heater or a floor-mounted Mega heater with a separate VA steam generator.

State-of-the-art features

The Tylö Combi is a sophisticated heater that you can use for all types of sauna bathing: a dry sauna at temperatures of 70–110°C in a relative humidity (RH) of 5–35%; a traditional sauna at temperatures of 75–90°C in 20–35% RH; or a gently relaxing steam sauna at 45–65°C in 40–65% RH. And with built-in dispensers for natural herbs and liquid essences, Tylö Combi adds yet another dimension to your sauna.

Tylö Combi includes all the hallmark features of other high quality Tylö heaters – and more besides! Innovations include:

- 3 hours running time, 0–10 hour preset
- light diodes indicating time, temperature and bathing mode
- integral humidifier for a pleasant bathing climate during the heating-up time
- stainless steel water tank with integral, replaceable heating element
- electronic low-water cut-off function
- automatic drying function after completion of the steam sauna cycle

Transform your old sauna into a brand new steam sauna!

You can easily upgrade an ordinary sauna into a steam sauna by replacing the old heater with a new Tylö Combi. To add even more style and sophistication, select your favourites from the wide range of doors, glazed sections, interior fittings and sauna accessories in the extensive Tylö range.

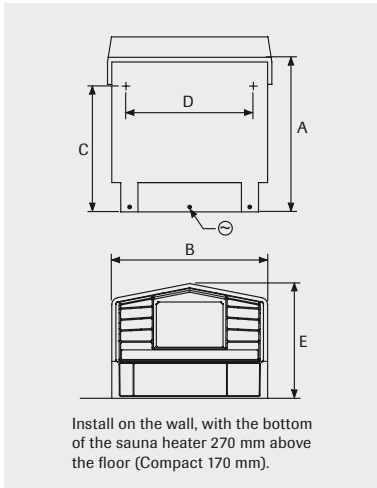




(Excl. sauna stones.)

Combi 4 RC (Art. 6220 5000)

Heater for dry, traditional or steam sauna bathing. Comes with separate electronic control panel for wall-mounted installation inside the sauna room (max. 1 m above floor level) or at any height outside the sauna room. 4.5 kW output. 400 V (two-phase and neutral). For sauna rooms 1.2–4.5 cu.m in size.



Tylö sauna heaters – technically speaking.

A word of advice: Always choose the highest recommended output in relation to the volume of the sauna. This is especially important in log saunas and saunas with glazed wall sections. The greater the heat output in relation to the size of the sauna room, the lower the overall energy consumption. This means, for example, that in a sauna room with a volume of 4 cubic metres, a 6.6 kW heater is a better choice than a 4.5 kW heater.

Sauna heater	Output kW	Sauna volume (cu.m.)	Minimum gap to side wall (mm)	Minimum height to ceiling in sauna (mm)	Suitable control panel	Weight without stones kg	Weight of stones kg	Sizes in mm (see sketches above)				
								A	B	C	D	E
Combi 4 RC	4.5	1.2 – 4.5	50	1900	CC 20 (included)	12	7	400	310	375	245	225
Combi 6 RC	6.6	4 – 8	110	1900	CC 20 (included)	16	10	435	455	405	360	355
Combi 8 RC	8	6 – 12	110	1900	CC 20 (included)	18	12	505	455	405	360	355



(Excl. sauna stones.)

Combi 6 RC (Art. 6220 5049)

As Combi 4 RC, but the control panel can also be placed on either side of the sauna heater itself. 6.6 kW output. For sauna rooms 4–8 cu.m in size. Supplied complete with 2.5 m cable and bracket for installing the panel on the sauna heater.

Combi 8 RC (Art. 6220 5069)

As Combi 6 RC, but with 8 kW output. For sauna rooms 6–12 cu.m. in size.



The control panel may be placed inside the sauna room for easy access (max. 1 metre above floor level) or outside the sauna room. The control panel can also be placed on either side of the sauna heater itself (Combi 6 RC and 8 RC).

Steam saunas for public facilities.

For large steam saunas in a hotel, spa or public swimming pool, you can combine a Tylö sauna heater with a Tylö VA steam generator. This enables you to offer traditional sauna bathing and the gentler sensation of a steam sauna in one and the same room.

Another advantage of steam saunas is that this bathing form eliminates the problems associated with scorched panels that are such a common headache in public facilities. In other words, a steam sauna not only offers bathers more alternatives, it also helps minimise maintenance costs.

Choosing the desired bathing mode is simple. Just key in the temperature and humidity values (for example, 45–65°C and 40–65% RH for steam saunas) on the control panel. These settings will then remain constant during the entire bathing cycle. Afterwards, an automatic air-drying function is activated to reduce humidity to a normal level.



Control panels CC

Electronic model for remote or touch-control operation. May also be connected to an external switch or computer, or used to turn the sauna on and off via a phone line. Features include an energy-saving divided output and automatic drying function after a steam sauna. Control panels must be combined with a suitable sauna heater, relay box and steam generator as shown in the table below.



CC 20 (Art. 7121 3010)

Light diodes indicate temperature, humidity and time settings on a 1–10 scale. Max. 3–10 hours running time. 0–10 hour preset. Size: 100 x 150 mm, depth 30 mm. IP 24.

CC 20 Recessed (Art. 7101 3035)

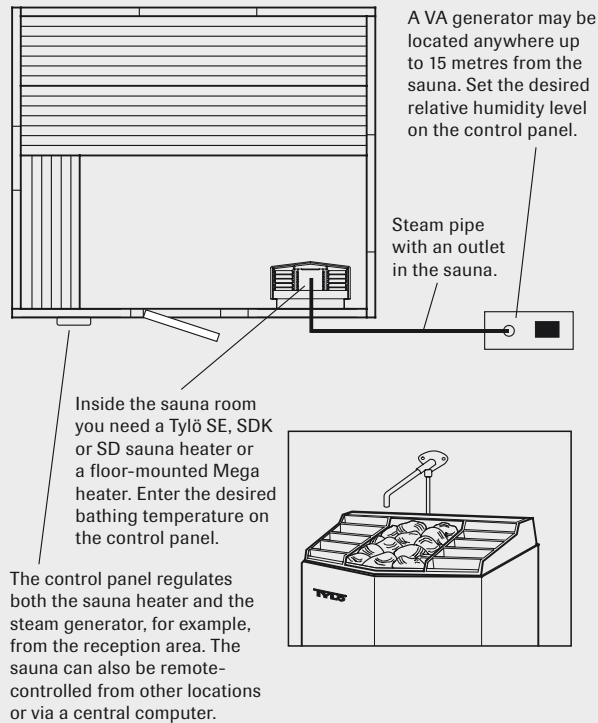
As above, but for installation recessed into the wall.



CC 300T (Art. 7111 5155)

Switchable to run between 0.5 and 24 hours and has a display that indicates temperature, humidity, remaining operating

The principle behind a steam sauna installation



Read more about Tylö sauna heaters and steam generators for professional use under the relevant section.

time, day and time. In addition the CC 300T is equipped with a switch for lighting, English instructions, and memory, security code and energy-saving stand-by functions. Thanks to the integral weekly timer, the CC 300T also offers optional automatic on/off operation and stand-by mode at preselected times on the days of your choice. The control panel can be operated from an external control point. Size: 130 x 190 mm, depth 27 mm. Protection class: IP 24.

Stand-by function saves energy – and money!

During off-peak hours the sauna can be set at stand-by heat. This can then be rapidly increased to the desired temperature when bathers arrive.

Stand-by operation saves substantial sums every year.

Combination table

Sauna volume min/max (cu.m.)	Sauna heater type (kW)	Relay box (see page 63)	Steam generator (see pp. 114–115) type (kW)	Control panel (see above)
6 – 12	SE 8 (8)	–	6 VA (6) or 6 VB (6.6)	CC 20 or CC 300T
10 – 18	SDK 10 (10,7) or EP 100 (10)	RB 30	6 VA (6) or 6 VB (6.6)	
15 – 35	SD 16 (16) or EH 150 (15)	RB 30	9 VA (9)	
22 – 43	SD 20 (20) or EZ 225 (22)	RB 60	12 VA (12)	

Wood-fired sauna stoves.

Imagine the inviting scents of wood and resin and the relaxing crackle of the fire. Then add the occasional sizzle of water on the stones and billowing clouds of steam that bathe the windows in mist and set the air shimmering with deep-penetrating waves of heat...

There's something special about a wood-fired sauna, and as we know how to appreciate sauna bathing in all its forms here at Tylö, we have a wide range of wood-fired sauna stoves for you to choose from as well. They all share the same high quality and unique heat-retaining construction that means you can linger a little longer in the sauna. At home, in the country, or on the shores of a tranquil lake you can enjoy the advantages of a wood-fired sauna in a class of its own.

Tylö leads the way in wood-fired technology.

There's much that speaks for a Tylö wood-fired sauna stove.

First of all, we are as uncompromising in our ambitions here as with all our other products. The high quality is immediately obvious from the weight and thickness of the steel. The materials are also the best possible: stainless steel, alu-zinc steel and sturdy structural steel.

Secondly we have developed a long list of technical features to increase your enjoyment both during and after your sauna. For example, the rear panel of the stove is protected by a baffle that directs the air flow to maximise the combustion effect and minimise wood consumption. Stoves also incorporate our patented Coanda heat-retention concept.

And last but not least, once you've bathed with a sauna stove from Tylö, you'll notice the biggest difference of all. Pure bliss!

Outstanding vaporisation. Tylö sauna stoves have large, deep stone compartments. This makes them a firm favourite among bathers who revel in the sizzling hot sensation of water sprinkled over heated sauna stones.

Save on wood – not on enjoyment.

Normally, stoking the fire just once is enough to heat the air from +20°C to the desired bathing temperature. Thanks to our patented Coanda technology, the stove retains its heat, so you can enjoy your sauna and even continue to sprinkle water on the sauna stones long after the fire has died down.

Large water tank. Tylö sauna stoves are also available with a stainless steel water tank. This fits safely inside the mantle of the stove and has a large opening for easier filling.

An extra touch of glass. All Tylö sauna stoves (except the K-007) have a hatch of Ceram special-grade glass, which can withstand temperatures of up to 800°C. The fire casts a warm glow through the glass, creating a wonderfully cosy atmosphere in the sauna.

All our wood-fired sauna stoves have an ash hatch, grate shuttle and optional rear/top flue connections. Most models are also available with the water tank on the left-hand side, or with twin tanks. (Prices on request.) Please see the page opposite for details of suitable sauna stove chimneys.



K-007 (Art. 6405 2000)
Compact model for small sauna rooms.



KL-12 (Art. 6405 1010)
With large glass hatch.

KL-12 V (Art. 6405 1011)
As above, with water tank on right-hand side.



KL-16 (Art. 6405 1020)
With glass hatch.



KL-20 (Art. 6405 1030)
With large glass hatch.

KL-20 V (Art. 6405 1031)
Water tank on right-hand side.

(Excl. sauna stones.)

To see more wood-fired sauna stoves, take a look at the Tylö website – www.tylo.com

Choose the right size stove for the job

The table below shows the optimum sauna stove heating outputs in relation to the volume of the sauna. To compensate for the effect of brick walls, add 3 cubic metres for every square metre of brick (or single-glazed glass) over 2 square metres in size. In log-cabin saunas with uninsulated timber walls, increase the volume by 25%. In borderline cases, always choose the larger of two possible sauna heaters.

Sauna stove model	Sauna volume cu.m.	Output kW	W x D x H mm	Water tank (litres)	Flue opening (dia. mm)	Distance from floor to bottom edge of rear flue	Weight without stones kg	Stone weight kg
K-007	3 – 7	7	330 x 430 x 600	–	104	410 mm	32	25 – 30
KL-12	5 – 10	12	410 x 500 x 660	–	104	450 mm	48	40 – 45
KL-12 V	5 – 10	12	575 x 500 x 660	25	104	450 mm	53	40 – 45
KL-16	9 – 16	15	435 x 490 x 710	–	104	505 mm	55	40 – 45
KL-20	8 – 20	18	480 x 500 x 780	–	104	513 mm	62	60 – 65
KL-20 R	8 – 20	18	480 x 500 x 780	–	104	513 mm	62	60 – 65
KL-20 V	8 – 17	18	645 x 500 x 780	28	104	513 mm	67	60 – 65

Sauna chimneys.

We offer complete, high-quality chimney kits specially developed for use with Tylö wood-fired sauna stoves. Chimney kits are based on an easy-to-assemble modular system.

Our modular chimney systems are used primarily with wood-fired sauna stoves in sauna rooms without an existing chimney, and for conversions and new constructions. The flues are manufactured in acid-resistant stainless steel, with high-grade ceramic insulation on the outside.

Sauna chimney kit Ø 100

(Art. no. 6505 3020)

Easy-to-assemble kit with 100 mm diameter flue suitable for Tylö wood-fired sauna stoves. Comprises a 1-metre uninsulated flue pipe, 2 x 1-metre insulated flue pipes, ceiling plate, storm collar and chimney cowl.

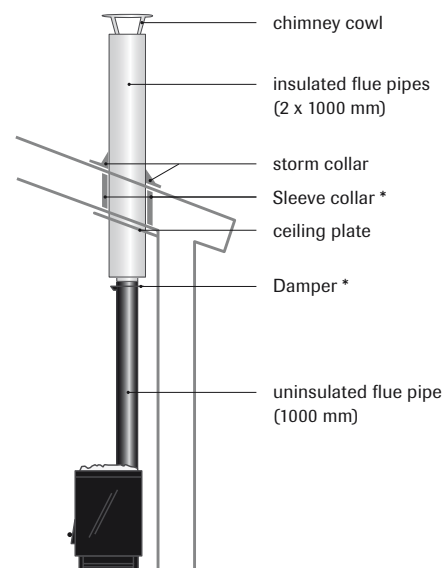
Insulated extension modules

100/1000 mm (Art. no. 6505 3021)

Insulated intermediate section, length 1000 mm. Ø 100 mm

100/500 mm (Art. no. 6505 3022)

Insulated intermediate section, length 500 mm. Ø 100 mm.



* Extra accessories.



**THERMOMETERS
& HYGROMETERS**



HOURGLASSES

Sauna accessories.

Little details can make a big difference.

A few well chosen products from the Tylö range of accessories will soon give your sauna room a distinctive character all of its own. You can choose everything from classic, rustic sauna style to the very latest in design – three comprehensive series unique to Tylö, all with the same contemporary look. There is an all-aluminium version, and versions with decorative wooden detailing in alder or aspen – two finishes that are the perfect match for our prefabricated sauna rooms. An insignificant detail, you may say. But, on the other hand, attention to details like this is the hallmark of Tylö thinking.

Our range for public bathing facilities includes a unique solution for water sprinkling, a highly sophisticated fragrance dispenser and a new series of essential accessories in carefully selected materials.

Our previous accessory range, expanded and amended over the years, has been replaced by a carefully composed selection of brand new accessories, each of the very highest quality.



HYGROMETERS





TOWEL RACK



LADLE



BUCKET

LIQUID THERMOMETER



Classic accessories

Wooden bucket and ladle in a classic design. The bucket has a practical plastic insert that holds 4 litres. Hemp handle and loop.

Ladle Classic

(Art. 9012 1025)

Bucket Classic

(Art. 9004 1010)



Collage SC

An all-in-one instrument combining thermometer, hygrometer and hourglass on a beautifully finished beech plaque.

Collage SC

(Art. 9007 1032)



Basic accessories

Hygro/Thermo Basic

(Art. no. 9015 2510)

Thermometer Basic

(Art. 9015 2520)

Hygrometer Basic

(Art. no. 9015 2530)

Hourglass Basic

(Art. no. 9015 2540)

Ladle 400 mm Basic

(Art. no. 9015 2550)

Bucket 4 litre Basic

(Art. no. 9015 2560)

Bucket 6 litre/ Ladle Basic

(Art. no. 9015 2570)



Aspen accessories

A brand new series in aluminium with decorative wooden detailing in blonde aspen.

Towel rack Aspen

(Art. 9015 2070)

Ladle Aspen

(Art. 9015 2010)

Bucket Aspen

(Art. 9015 2000)

Hourglass Aspen

(Art. 9015 2050)

Liquid thermometer Aspen

(Art. 9015 2060)

Thermometer Aspen

(Art. 9015 2020)

Hygrometer Aspen

(Art. 9015 2030)

Thermometer/Hygrometer Aspen

(Art. 9015 2040)



Beech accessories

A complete new series in aluminium with decorative wooden detailing in beech.

Towel rack Beech

(Art. 9015 2370)

Ladle Beech

(Art. 9015 2310)

Bucket Beech

(Art. 9015 2300)

Hourglass Beech

(Art. 9015 2350)

Liquid thermometer Beech

(Art. 9015 2360)

Thermometer Beech

(Art. 9015 2320)

Hygrometer Beech

(Art. 9015 2330)

Thermometer/Hygrometer Beech

(Art. 9015 2340)



Aluminium accessories

A complete series of all-aluminium accessories in an elegant contemporary design.

Towel rack Aluminium

(Art. 9015 2270)

Ladle Aluminium

(Art. 9015 2210)

Bucket Aluminium

(Art. 9015 2200)

Hourglass Aluminium

(Art. 9015 2250)

Liquid thermometer Aluminium

(Art. 9015 2260)

Thermometer Aluminium

(Art. 9015 2220)

Hygrometer Aluminium

(Art. 9015 2230)

Thermometer/Hygrometer Aluminium

(Art. 9015 2240)



Accessories for public bathing facilities

Bucket Pro (Art. 9004 1005)

Stainless steel. Capacity: 8 litres.

Ladle Pro (Art. 9012 1020)

Stainless steel with a wooden handle.

Hygrometer/Thermometer Pro

(Art. 9070 1030)

Thermometer and hygrometer in stainless steel with fitting to fasten securely to the sauna wall.



Other sauna accessories.



Heater guards

Heater guard 6–8V

(Art. 9000 1002)

Wall-mounted construction for heaters 6.6–8 kW.

Heater guard 10–20V

(Art. 9000 1012)

As above, for heaters 10.7–20 kW.

Heater guard 6–8H

(Art. 9000 1003)

Corner-mounted construction for heaters 6.6–8 kW.

Heater guard 10–20H

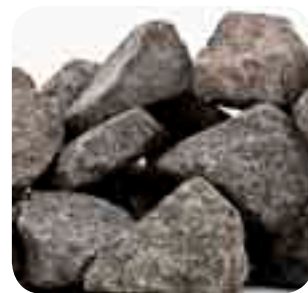
(Art. 9000 1013)

As above, for heaters 10.7–20 kW.



Custom-designed interiors

This picture gives a glimpse of how Tylö can produce interior fittings to meet your exact requirements. Please contact Tylö for consultation and a free estimate.



Sauna stones

Sauna stones (Art. 9014 1000)

Natural stones of igneous dolerite rock (black diabase) that withstand rapid heating and cooling. One carton (approx. 14 kg) is sufficient for heaters with outputs of 6.6–8 kW. Heaters with outputs of 10.7–20 kW require two cartons.

Mini sauna stones (Art. 9014 1005)

As above, but with stones of a suitable size for the smaller Compact and Combi Compact heaters. One carton (approx. 7 kg) per heater.

Olivine stones (Art. 9014 1040)

Recommended only for public facilities and with frequent water sprinkling. Not suitable for Compact and Combi Compact. Low density means quicker heating-up time. One carton: 25 kg.

Stones Wood-fired (Art. 9014 1007)

Larger stones of igneous dolerite rock (black diabase) specially selected for use with wood-fired sauna stoves. Larger stones mean better air circulation and longer heat retention.

Lighting

High-quality light fittings with glass shade and ceramic base in a splashproof design.



Opus 100 H100 (Art. 9001 1090)
Sauna lamp. Wall-mounted. Grey lamp-holder G9, 25 W, 230 V, IP57, matt opalescent glass. Ø 100 mm, Height 100 mm.



Opus 100 H125 (Art. 9001 1091)
Sauna lamp. For wall/ceiling. Grey lamp-holder G9, 25 W, 230 V, IP57, matt opalescent glass. Ø 100 mm, Height 125 mm.



Opus 100 H175 (Art. 9001 1092)
Sauna lamp. For wall/ceiling. Grey lamp-holder E27, 40 W ceiling/60 W wall, 230 V, IP57, matt opalescent glass. Ø 100 mm, Height 175 mm.



Opus 100 H175 (Art. 9001 1093)
Sauna lamp. For wall/ceiling. Grey lamp-holder E27, 40 W ceiling/60 W wall, 230 V, IP57, clear glass. Ø 100 mm, Height 175 mm.



Opus 200 H135 (Art. 9001 1094)
Sauna lamp. For wall/ceiling. Grey lamp-holder E27, 40 W ceiling/60 W wall, 230 V, IP57, matt opalescent glass. Ø 200 mm, Height 135 mm.



Light On Halogen (Art. 9001 1003)
Sauna lamp. For wall/ceiling. Grey GU10, 35 W, 230 V, IP44. Ø 100 mm, Height 115 mm.



Sauna lamp 40 W (Art. 9001 1000)
Wall-mounted. White lamp-holder E14. IP 24. Max 40 W. Ø 90 mm, Height 170 mm.



Sauna lamp 60 W (Art. 9001 1004)
As above, max 60 W. Ø 205 mm, Height 105 mm. IP 24.



Lighting strips

May be cut to size and installed behind the backrest to cast a pleasant, subdued light in the sauna. 12 V. Connect to our 12 V transformer.. IP 24.

Lighting strip 38 (Art. 9001 1190)
Length 38 cm. 12 W.

Lighting strip 50 (Art. 9001 1192)
Length 50 cm. 15 W.

Lighting strip 90 (Art. 9001 1194)
Length 90 cm. 27 W.

Lighting strip 190 (Art. 9001 1196)
Length 190 cm. 57 W.



Lampshade Aspen-V (Art. 9009 1010)
Decorative, aspenwood shade that spreads a gentle, subdued light in the sauna. For wall mounting. Suitable for use with our 40 W sauna lamp. 50 x 28 x 15 cm.

Lampshade Aspen-H
(Art. 9009 1011)

As above, but for corner lamps. 50 x 34 x 8 cm.



Lampshade Aspen-V SR
(Art. 9009 1017)

Exclusive design with narrow slats of aspen. For wall mounting. Suitable for use with our 38 cm lighting strip. 54 x 24 x 6 cm.

Lampshade Aspen-H SR
(Art. 9009 1018)

As above, but for corner lamps. 54 x 22 x 4 cm.

Lampshade Beech-H-SR

(Art. no. 9009 1014)

Lampshade Beech-V SR
(Art. no. 9009 1013)



Lampshade 40/60 (Art. 9009 1002)
Wall-mounted pine shade for use with 40 W and 60 W sauna lamps. 25 x 25 x 14 cm.



Lampshade Asp-GL

(Art. 9009 1003)

Elegant design in specially selected aspen for corner lamps. Suitable for use with our 40 W sauna lamp. 50 x 36 x 4 cm.



Optical fibre lighting

Halogen lighting for atmospheric lighting in all sorts of settings. The lighting source is in a projector placed outside the sauna room. The length of the optical fibres determines the maximum distance between the projector and the light points.

Fiber Light Standard (Art. 9001 1100)

42 W with 6 light points (2 x 2 m, 2 x 2.5 m and 2 x 3 m).

Fiber Light Public (Art. 9001 1120)

42 W with gilded fittings and 8 light points (2 x 2.5 m, 3 x 3 m and 3 x 3.5 m).

Fiber Light Colour S (Art. 9001 1125)

75 W with 9 light points (1 x 0.5 m, 2 x 1 m, 3 x 1.6 m, 2 x 1.9 m, 1 x 2.3 m) and a rotating disc for fixed or changing colours.

Fiber Light Colour (Art. 9001 1130)

75 W, as above but with 9 light points on 2.5 metre cables for large rooms.



Transformer 12 V/210 W

(Art. 9090 1015)

200–240 V~/12 V max. 210 W. For use with up to 7 metres of lighting strips or 42 x 5 W bulbs (downlight).

Transformer 12 V/60 W

(Art. 9090 1020)

As above, but for max. 60 W. Length 190 cm. 57 W.



Downlight (Art. no. 9001 1081)

Effective spotlighting for recessed installation in, for example, a soffit outside the sauna. (Not suitable for use inside the sauna.) 12 V/5 W. Connect to our 12 V transformer. Installation size: dia. 60 mm. IP 21



Downlight (Art. no. 9001 1083)

Effective spotlighting for recessed installation in, for example, a soffit outside the sauna. (Not suitable for use inside the sauna.) 12 V/10 W. Connect to our 12 V transformer. Installation size: dia. 57 mm. IP 21.



Downlight (Art. no. 9001 1085)

Effective spotlighting for recessed installation in, for example, a soffit outside the sauna. (Not suitable for use inside the sauna.) 12 V. Connect to our 12 V transformer. Installation size: dia. 74 mm. IP 21.



Downlight (Art. no. 9001 1087)

Effective spotlighting for recessed installation in, for example, a soffit outside the sauna. (Not suitable for use inside the sauna.) 12 V. Connect to our 12 V transformer. Installation size: dia. 78 mm. IP 44.

Fragrant essences



Essential oils

Produced from natural ingredients especially for use with Tylö Fresh fragrance dispenser in saunas and steam rooms. Supplied as a concentrate in 25 cl plastic bottles.

Fragrances:

Eucalyptus 25 (Art. 9002 2030)

Peppermint 25 (Art. 9002 2031)

Pine 25 (Art. 9002 2032)

Lavender 25 (Art. 9002 2033)

Cinnamon 25 (Art. 9002 2034)

Citrus 25 (Art. 9002 2036)



Tylö sauna fragrance

A pure natural product. A drop or two in a ladle of water will release an invigorating scent when sprinkled over the sauna stones.

Fragrances:

Sauna fragrance 10 ml Eucalyptus
(Art. 9002 1000)

Sauna fragrance 50 ml Eucalyptus
(Art. 9002 2000)

Sauna fragrance 10 ml Peppermint
(Art. 9002 1010)

Sauna fragrance 10 ml Lavender
(Art. 9002 1012)

Sauna fragrance 10 ml Cinnamon
(Art. 9002 1014)



Concentrated fragrances

To be diluted with water. For use with earlier models of Tylö fragrance dispensers – Sauna Fresh and Steam Fresh. Plastic bottles containing 250 ml of concentrate. Also available in packs of 24 and in 5-litre containers.

Fragrances:

Eucalyptus 250 (Art. 9002 0000)

Eucalyptus 250/24-pk (Art. 9002 0005)

Eucalyptus 5 litres (Art. 9002 2007)

Lemon 250 (Art. 9002 0010)

Lemon 250/24-pk (Art. 9002 0015)

Lemon 5 litres (Art. 9002 2012)

Pine 250 (Art. 9002 0020)

Pine 250/24-pk (Art. 9002 0025)

Pine 5 litres (Art. 9002 2017)

Peppermint 250 (Art. 9002 0030)

Peppermint 250/24-pk
(Art. 9002 0035)

Peppermint 5 litres (Art. 9002 2022)

Menthol 250 (Art. 9002 0040)

Menthol 250/24-pk (Art. 9002 0045)

Menthol 5 litres (Art. 9002 2027)



Cleansing kit (Art. no. 9090 3020)

Removes calcium deposits on shower glass and glazed tiles. Always use the titanium wool ball with liberal amounts of water. Impregnating liquid to protect shower glass and glazed tiles against a build-up of lime deposits.

Tylö Impregnator (Art. no. 9090 3030)

Preserves and protects shower glass and glazed tiles. Spray on and rinse off with clean water.



Fragrance dispensers

Tylö Fresh (Art. 9090 8005)

Fragrance dispenser for saunas, steam baths and wherever else Tylö's aromatic essences may be needed. Silent, automatic operation. Installation distance: max. 2 metres between fragrance dispenser and nozzle. Up to four fragrance dispensers may be connected to a single control panel for varying the fragrance in one or more rooms. Size: 350 x 200 mm.

CC Fresh (Art. 9090 8006)

Electronic control panel for easy, automatic operation of the Tylö Fresh dispenser. Supplied complete with transformer. May be installed at any distance from the fragrance dispenser. Size: 130 x 190 mm, depth 27 mm.

Tylö Fresh Basic (Art. 9090 8007)

As Tylö Fresh above, but with transformer and simple on/off function for manual control of the fragrance intensity. May also be connected to lighting, etc.

For domestic saunas only.



Hygiene Disinfectant

(Art. no. 9002 9100)
For effective sauna room hygiene. 5-litre plastic container.

Solvent (Art. no. 9090 3000)

Powder for descaling the water tank in Tylö Combi sauna heaters and Tylö steam generators. Totally odourless and harmless.

Solvent 50 (Art. no. 9090 3007)

As above, in a pack of 50.

Sulfamic solvent

(Art. no. 9090 3010)
An extra strong descaling agent for professional use only in public facilities. Sold in a 5-kilo pack.

Sauna oil (Art. no. 9002 2050)

For treating benches and other wooden surfaces inside the sauna. Makes cleaning easier. Protects wood with a special water-repellent film. 1-litre plastic bottle. (For approx. 6 square metres.)



Loudspeaker A (Art. 9080 2000)
Steam and heat-resistant construction for installation recessed into the sauna room wall or under the lower sauna bench. 50 W output. Installation size: 120 mm diameter, depth 55 mm. Sold in pairs.

Loudspeaker B (Art. 9080 3000)
As above, 50 W, but for surface mounting. Size: 177 x 114 mm, depth 125 mm. Sold in pairs.



Sauna clock
(Art. 9011 1020)
Electric 230 V.
Size: 24 x 24 cm.

Wooden headrests



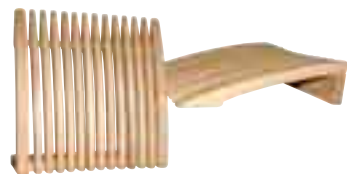
Adjustable headrest, beech
(Art. 9008 1013)
Height adjustable to help you relax even better in the sauna.

Adjustable headrest, aspen
(Art. 9008 1010)
As above.



Sauna headrest, beech (Art. 9008 1018)
Narrow strips of wood in a fixed, gently contoured shape.

Sauna headrest, aspen (Art. 9008 1014)
Narrow strips of wood in a fixed, gently contoured shape.



Headrest/Backrest Basic
(Art. no. 9015 2500)



Textiles

Bath sheet (Art. 9016 1024)
Bath sheet in highly absorbent 500 g white cotton.

Hand towel (Art. 9016 1026)
Hand towel in highly absorbent 500 g white cotton.

Kimono
Elegant, wide-sleeved kimono in 330 g white cotton. The perfect choice of bathrobe to wrap up in after your sauna.

S/M (Art. 9016 1020)
L/XL (Art. 9016 1022)

Water sprinkler



Water sprinkler (Art. 9034 1000)
An innovative solution for sprinkling water over hot sauna stones. Connect to hot or cold water. Consists of a 7-metre twined hemp rope running through brass eye-bolts, a sprinkler head, a valve box with lever and a rope bolt, together with plumbing connections. Supplied in a gift package with an exclusive bronze plaque.

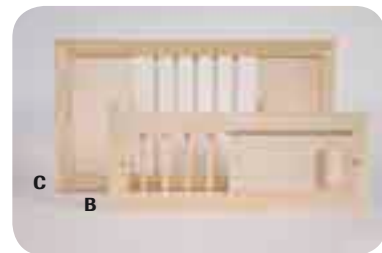
Ventilation



Ventilation grille A (Art. 9017 1000)
Fits over the outside of the air inlet/outlet.
Size: 10 x 22 cm (installation size: 8 x 16 cm).

Ventilation grille B
In wood. 14 x 22 cm.
Aspen (Art. 9018 1040)
Beech (Art. 9018 1038)

Ventilation grille C (Art. 9018 1032)
For sauna rooms over 25 cu.m. in volume.
Vent opening 300 sq.cm. Size: 24.5 x 25.5 cm.



Vent hatch C
For sauna rooms over 25 cu.m. in volume.
Hatch opens 0–300 sq.cm.
Size: 24.5 x 25.5 cm.

Aspen (Art. 9018 1036)
Beech (Art. 9018 1034)

Vent hatch B (Art. 9018 1030)
Fits over the air outlet inside the sauna to regulate air flow. Size: 14 x 37.5 cm.

Showers.

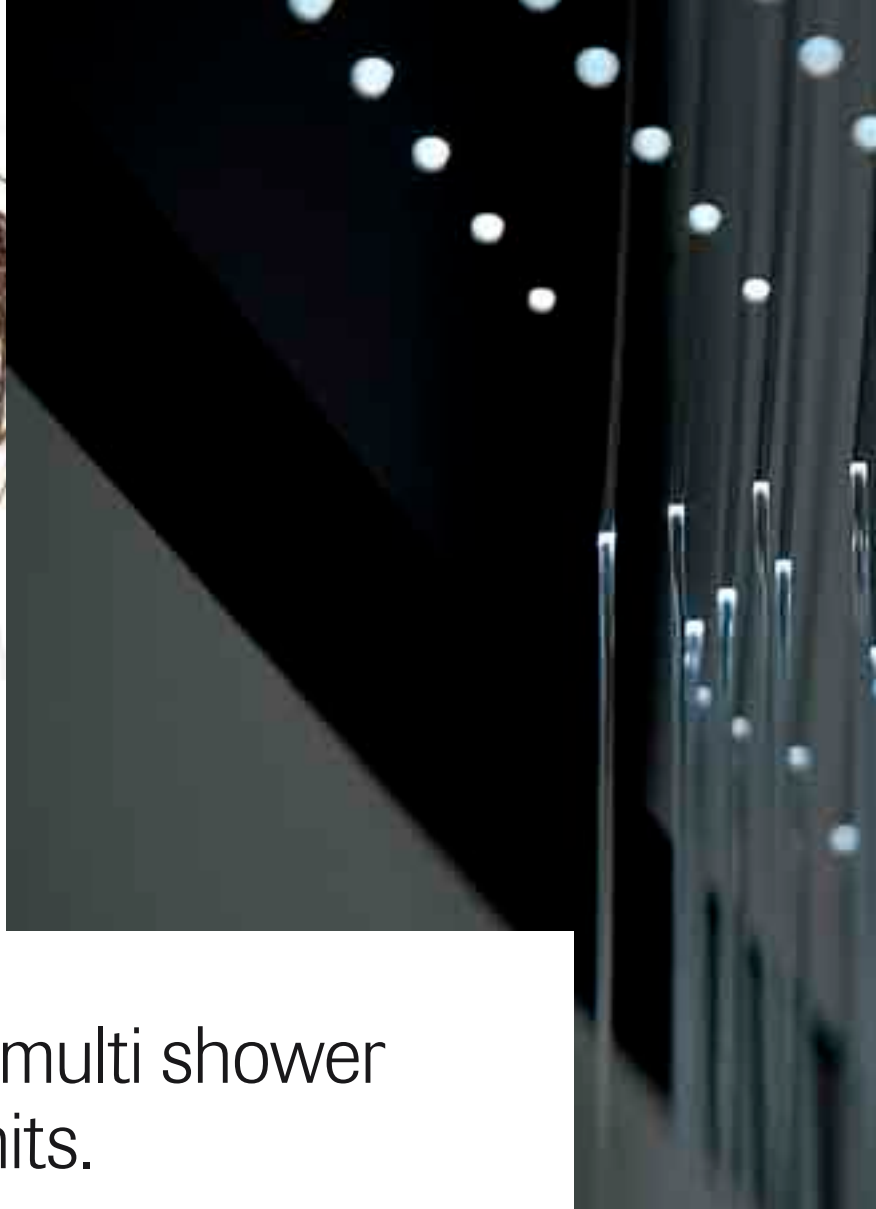
From practical corner solutions that give you maximum flexibility when planning and positioning your shower, via a complete home spa to our new, multifunctional shower room, Tylö Felicity.

The choice may be big, but you don't need a big bathroom to make use of it. All our products have been specially designed to fit standard-sized bathrooms. The new Tylö Felicity, for example, with its built-in steam bath function, doesn't require any more room than a conventional corner shower. And the generously appointed Tylette Centre hydro-steam cabinet takes up no more floor space than a corner bathtub.

So, if you're thinking about freshening up your bathroom with a new shower, it makes sense to take a look at what Tylö has to offer. Intelligent functions combined with exquisite design. That's what makes Tylö showers not only a pleasure to use, but also a joy to behold.





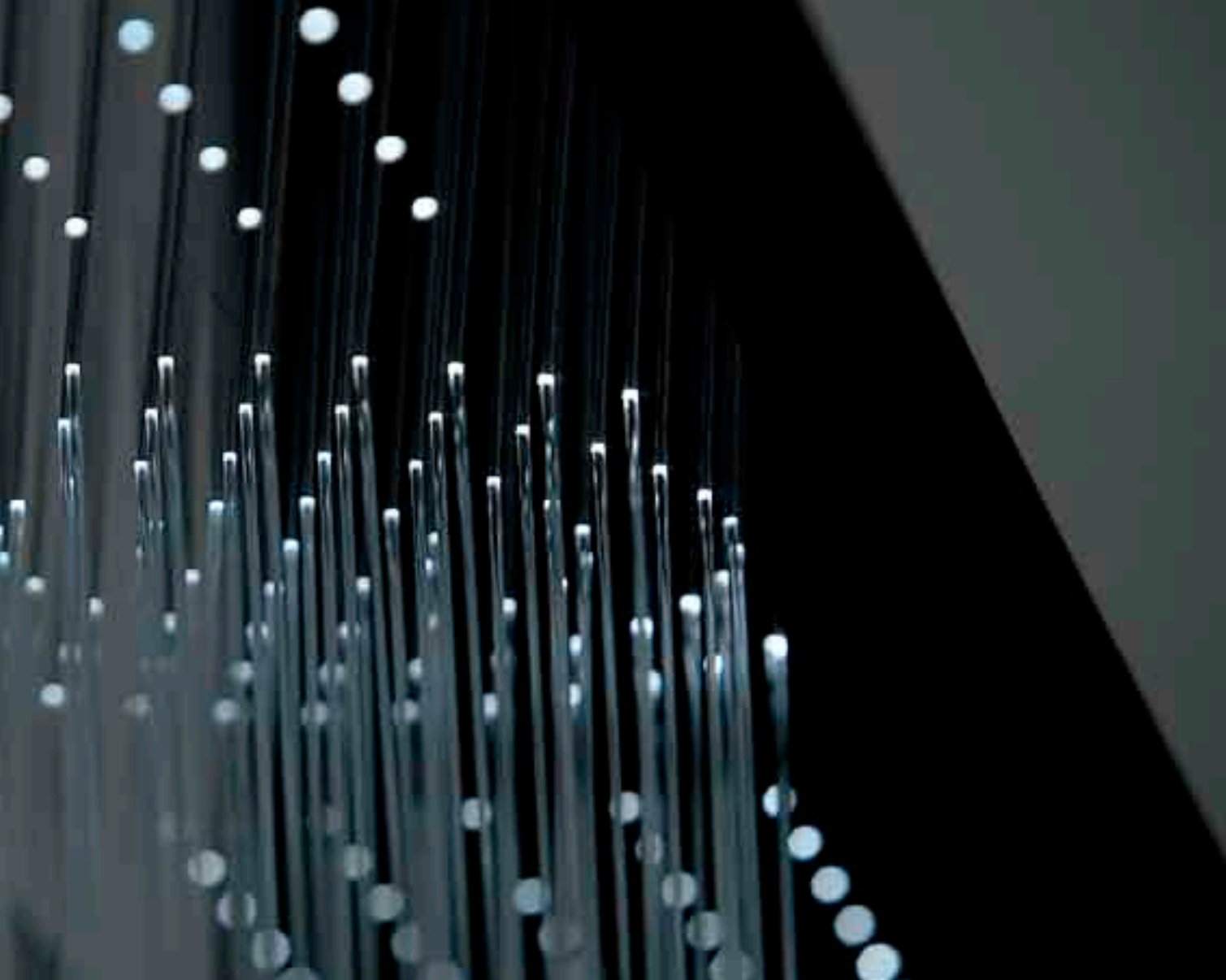


Tylö Felicity – the multi shower that knows no limits.

Tylö designers and product engineers have created what must surely be the perfect steam shower – Tylö Felicity. This bathing beauty is our top-of-the-range model, combining contemporary styling and innovative technology in a shower and steam cabinet that sets a new standard for bathing in the twenty-first century.

Using no more floor space than a conventional shower, Tylö Felicity gives you a complete home spa, packed full of attractive features. What do you say to a steam bath, cascade and cloudburst functions, massage nozzles – and, of course, a refreshing and relaxing conventional shower, as well? Tylö Felicity also incorporates a number of patent pending solutions. These include the unique floor which, despite its low step-in height, has a built-in water trap and adjustable wastepipe. And then there's the fold-down seat with an integral backrest that converts in a trice into a bench for two to sit in comfort.

Tylö Felicity has been designed as an exclusive steam shower for domestic use, but it can also be installed in public spas, hotels and wherever else owners wish to let their guests enjoy a little extra luxury.



Smart functions that make everyday life easier and more enjoyable.

All Tylö Felicity models have a built-in steam generator, thermostatically controlled mixer tap, a hand-held sprinkler and control panel, a ceiling with an integrated shower function, a comfortable seat, two gently rounded doors in tempered safety glass and a floor tray with water trap and adjustable wastepipe. You can install Tylö Felicity in corners or as a freestanding cabinet.

The more exclusive models also have adjustable nozzles for body massage, cascade and cloudburst functions and interior lighting that bathes the entire bathroom in a relaxing glow. In these versions the seat back also converts simply into a two-seat bench.

Ceiling shower unit – dual function shower: a circular ceiling shower and relaxing “rain therapy”.

Adjustable massage nozzles for body massage that both relaxes and refreshes.

Water cascade helps relieve the tension in tired neck and back muscles.

In-built steam generator for bathing in clouds of soothing steam. The generator has automatic fill-up, emptying and flushing functions.

Lighting in ceiling shower and cascade casts a pleasant light in the shower.

Hand-held shower and thermostatically controlled mixer tap in the front service column adds the finishing touch – practical when you want

to start the shower without getting wet.

Unique floor tray design that combines a low step-in height with a water trap and adjustable wastepipe. The design also improves flexibility when placing the shower and adjusting the height from above.

Twin glass doors for maximum flexibility.

Easy-to-operate control panel on the front service column for setting time, temperature, steam and lighting.

Finest quality materials – 6 mm tempered safety glass, anodised aluminium profiles and a sturdy, fully steamtight construction.

Elegant interior with shelf compartments and a unique seat that converts simply into a bench for two.



Tylö Felicity Basic shower room.

Extra pleasure comes as standard even with the basic version of Tylö Felicity. This steam shower has a built-in steam generator so you can bathe while cosseted in clouds of pleasant steam. Add a dash of Tylö fragrances and you can also enjoy the refreshing sensation of aromatherapy.

The ceiling shower and the hand-held shower are both operated from a thermostatically controlled mixer tap mounted on the service column – a practical solution when you want to start the shower without getting wet. Here too is the control panel for regulating bathing temperature, time and lighting.

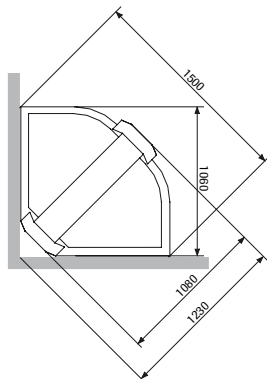
The design is a study in restrained elegance, where the tone is set by the aluminium front column in anodised aluminium. The tempered glass doors have generous aluminium handles which also double as towel rails. The 6 mm thick tempered safety glass in the rear walls contributes to the sturdy, steamtight construction. And, thanks to its twin doors, Tylö Felicity gives you plenty of options when planning a functional bathroom layout.

The unique, patented floor tray construction combines a low step-in height with a water trap and adjustable wastepipe. The design also improves flexibility when placing the shower and adjusting the height from above.

Tylö Felicity Basic comes ready for simple connection to the water supply. For connection to the electricity supply you will need two 10 amp fuses. The in-built generator (max 4.5 kW) is convertible between 230 V~ and 400 V2N~. Recommended water pressure 4 bar and 50 litres/minute.

Tylö Felicity Basic (Art. 9607 4500)

Size: 1060 x 1060 mm, exterior height 2300mm, interior height 2010 mm.



EQUIPMENT – TYLÖ FELICITY BASIC:

Ceiling shower • Hand shower • Steam generator • Folding seat • Floor tray • Roof
Doors and walls in 6 mm tempered safety glass • Front column in anodised aluminium







Tylö Felicity Midi.

With Tylö Felicity Midi you take a further step upwards on the scale of bathing bliss. In addition to all the features of the Basic version, the Midi has four high-pressure water nozzles to massage your back. There is also a refreshing “raindrop” function. The ceiling shower is a Tylö registered design that lets you choose between a ring-shaped curtain of water and a relaxing “rain therapy” function with water from the entire ceiling.

You set the steam bathing function and all the other water functions using the control panel. This has pride of place on the front service column beside the thermostatically controlled mixer tap and the hand shower.

The folding seat has a patent pending construction that you will appreciate whenever you share the shower. All you need to do is to move the backrest forwards and – hey presto! – it turns into a bench with room for two.

The elegant design owes much to the

aluminium front column with its decorative white panel – the perfect match for the shower seat. The two gently rounded doors and both rear walls are made of 6 mm tempered safety glass. The aluminium handles on the doors can also be used for hanging towels etc. As the floor tray can be adjusted from above, it is easy to place this steam shower exactly where you wish in your bathroom.

Tylö Felicity Midi comes ready for simple connection to the water supply. For con-

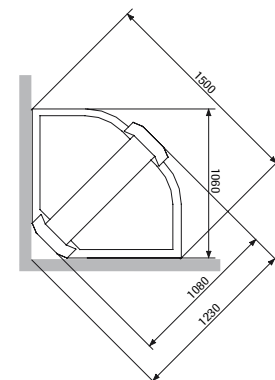
nection to the electricity supply you will need two 10 amp fuses. The built-in generator (max 4.5 kW) is convertible between 230 V~ and 400 V2N~. Recommended water pressure 4 bar and 50 litres/minute.

Tylö Felicity Midi (Art. 9607 4510)

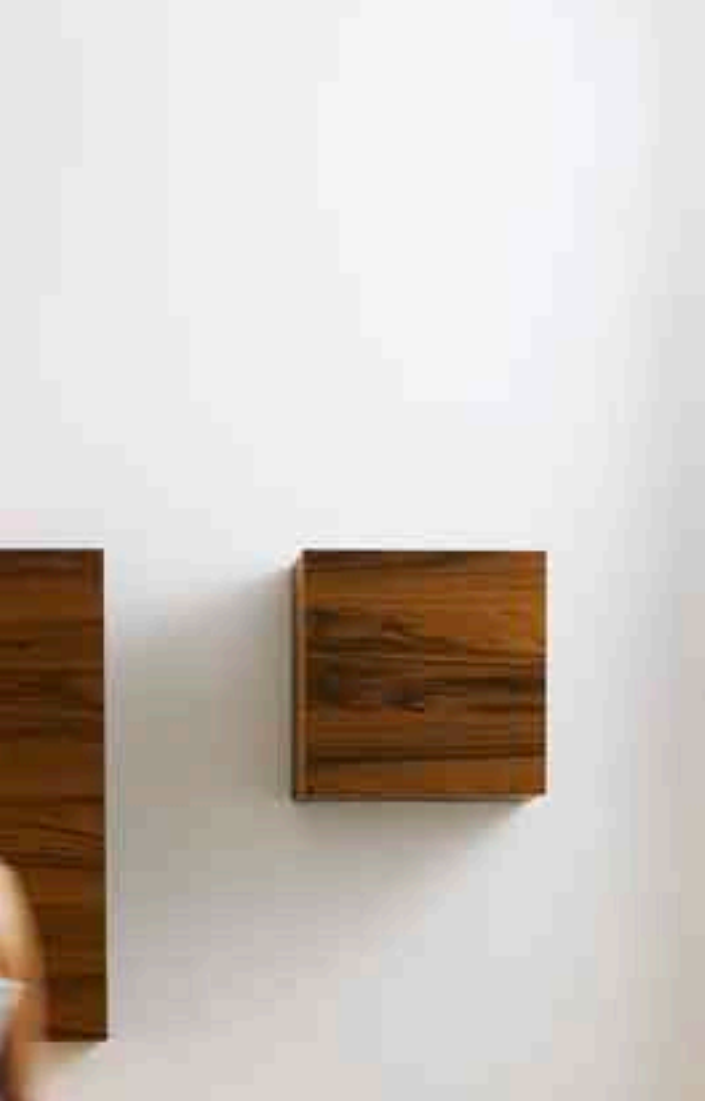
Size: 1060 x 1060 mm, exterior height 2300 mm, interior height 2010 mm.

EQUIPMENT – TYLÖ FELICITY MIDI:

Ceiling shower with light and rain function • 4 massage nozzles for your back • Hand shower
 Steam generator • Folding seat with backrest/bench • Floor tray • Roof • Doors and walls in 6 mm tempered safety glass • Front column in white with chrome trim





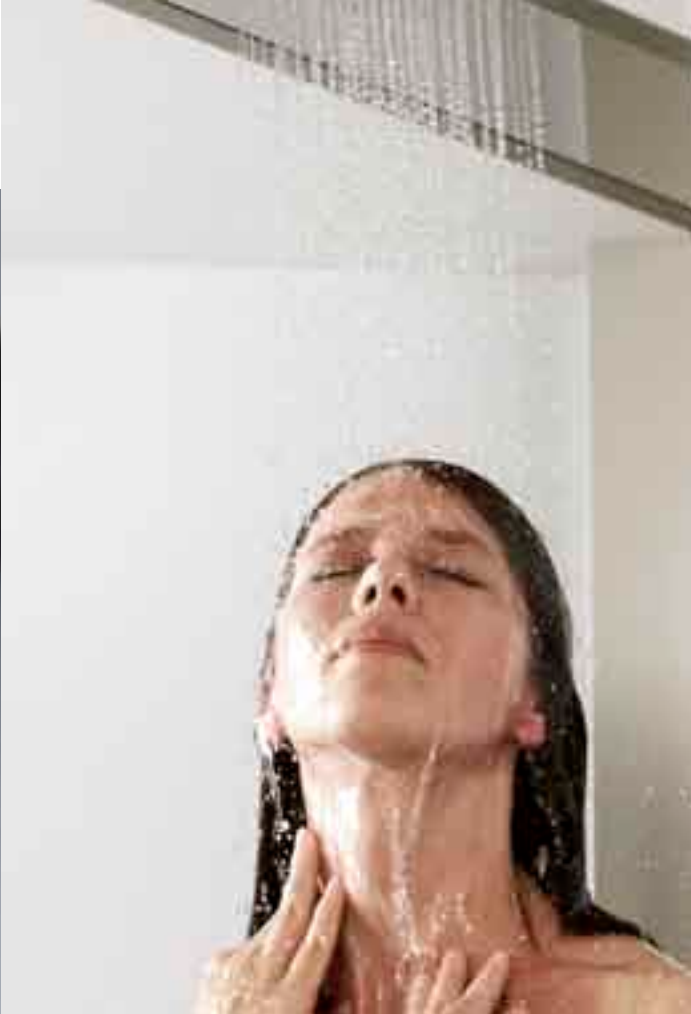


Tylö Felicity Premium multi shower.

When only the best is good enough, your choice of a steam shower is simple. One look at Felicity Premium and the exclusive teak panelling in the front column and seat says it all. This really is something out of the ordinary.

As far as functions are concerned, Tylö Felicity Premium takes over where the generously appointed Midi version left off. This means a built-in steam generator for relaxing steam baths, a cloudburst function, thermostatically controlled mixer tap, hand-held shower and comfortable fold-down seat that converts in the twinkling of an eye into a shower bench for two. In addition, this model has a waterfall and six adjustable massage nozzles, four on the back and two on the front, to provide soothing massage for stiff and aching muscles.





The elegantly designed seat and backrest form a patent pending construction that combines simplicity with ingenuity. Just fold down the seat for a comfortable place to sit and relax alone. Fold the backrest forwards, and you have a sturdy bench for two. (Available in teak with the Premium model and in white for the Midi.)



The lamp integrated into the ceiling casts a pleasant light even when the shower is not in use. The illuminated cascade of water above the seat cools and refreshes you even in the hottest of steam baths. All the other water functions are conveniently controlled from a panel on the inside of the front service column.

The two rounded doors have aluminium handles on either side of the front column with its decorative teak panel. 6 mm tempered safety glass in both doors and the two rear walls contributes to the safe, sturdy construction.

Tylö Felicity Premium comes ready for simple connection to the water supply.

For connection to the electricity supply you will need two 10 amp fuses. The built-in generator (max 4.5 kW) is convertible between 230 V~ and 400 V2N~. Recommended water pressure 4 bar and 50 litres/minute.

Tylö Felicity Premium

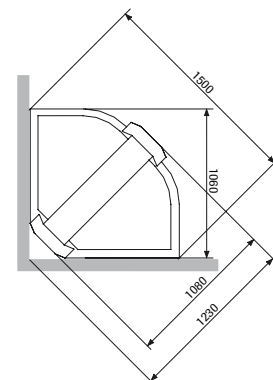
(Art. 9607 4520)

Size: 1060 x 1060 mm, exterior height 2300 mm, interior height 2010 mm.

As its name suggests this shower room is brimming with all sorts of practical features and ingenious functions that make everyday life easier and more enjoyable.

EQUIPMENT – TYLÖ FELICITY PREMIUM:

Ceiling shower with light and rain function • Illuminated water cascade • 4 massage nozzles for your back and 2 in front • Hand shower • Steam generator • Folding seat with backrest/bench • Floor tray • Roof • Doors and walls in 6 mm tempered safety glass • Front column in teak with chrome trim





The ceiling shower is a Tylö registered design that lets you choose between a circular shower and a gentle “rain therapy” function from the entire ceiling. It also has built-in lighting that creates a welcoming glow inside even when the steam shower is not in use.



The Premium model really does live up to its name. The equipment includes six adjustable massage nozzles – four on the rear column, two on the front – to help soothe tired and aching muscles.



The waterfall that cascades from the rear column above the backrest (on the Premium model) not only cools and refreshes; the water also has a gentle massaging effect that can work wonders on stiff necks and backs.

Room for more choice in the bathroom.

Tylette Centre takes up no more floor space than an ordinary corner bathtub, but offers much more in the way of comfort, convenience and flexibility. This hydro-steam cabinet turns bathing from a practical necessity into a highly pleasurable way to relax, recharge your batteries and get ready to face the challenges of a new day.

It brings more choice into your bathroom – a self-contained world of water and steam where you can sit in comfort, unwind in clouds of soothing steam and enjoy the invigorating effect of all sorts of water therapy. And, so you can share these moments of bathing bliss, there are two fully integrated shower seats.

Tylette Centre hydro-steam cabinet

Generously equipped with steam bath, tropical cloudburst, cascade, body massage and shower functions – packaged in a stunningly attractive design.

The elegantly curved, tempered glass front has a space-saving sliding door that can be fitted to open left or right and gives a full 60 cm access width. The door may be hung on the right- or left-hand side. Two comfortable seats, one placed in the cor-

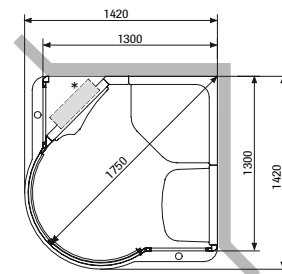
ner, are integrated into the wall sections, and all the connections for water and electricity, together with the steam generator are hidden behind the large mirrored wall. The cabinet can be angled to facilitate installation, but it is not possible to install this particular model mirror fashion. It comes complete with decorative halogen lighting inside and out.

Designed for corner installation. Connect to electricity (min. 10A), water supply and drainage. The steam generator

(4.5 kW) is convertible between 230V~ and 400 V2N~. Minimum water pressure: 2.5 bar. Run-off capacity: 50 litres per minute.

Tylette Centre (Art. 9607 3300)
White walls. Size: 1420 x 1420 mm, height 1980 mm.

Floor decking (Art. 9005 9020)
Optional extra: exclusive teak decking, specially made to fit the dimensions of Tylette Centre.



*Integral steam generator



Integral steam generator for relaxing bathing in clouds of soothing steam. The generator fills, empties and flushes automatically.

Tropical cloudburst – a sensational experience, at least as refreshing as the real thing.

Body massage – effectively placed nozzles direct jets of invigorating water.

Waterfall function releases a cascade of water over your head and shoulders to relax tired and aching muscles.

Complete shower kit with chrome-

plated riser and sprinkler head with shower function that adjusts from a gentle spray to a pulsating jet of water.

Thermostatically controlled mixer tap in an elegant, chrome-plated construction – high quality and easy to operate.

Space-saving sliding door made from the finest materials. Install to open left or right.

Recessed halogen lighting provides just the right level of illumination inside the bathing cabinet and out.

Easy-to-operate control panel shows

time, temperature, steam-bath and lighting settings.

Finest material quality – vacuum-formed, special-grade plastic, tempered safety glass and aluminium profiles for a safe, sturdy, steam- and watertight construction.

Comfort and convenience with integral seat and practical shelf compartments in the walls.

Fragrance holder for natural essences spreads a pleasant, refreshing scent in the steam bath.



Corner showers for every bathroom.

Tylö offers a variety of corner showers for domestic use and public facilities alike. They may look very different, but they all have one thing in common – the high quality that has become a byword for Tylö.

One of the big advantages of our corner showers is their simplicity. All you need is a water supply and a wastepipe or floor drain connected to the wastewater system. Another advantage is flexibility. You can fold away one of our corner showers when it's not in use, or equip another to serve as a steam room. And the size and shape is up to you. No one offers the same combination of quality, simplicity and flexibility as Tylö.

Parant corner shower

(Art. 8900 9100)

Exclusive corner shower with a curved sliding door and front in clear tempered safety glass with natural anodised aluminium profiles. The door runs on soft-suspension, roller-bearing wheels for smooth, silent operation and has magnetic strips for reliable, watertight closing. Optional right-hand/left-hand access: opening 600 cm.

The ingenious pivoting wall profiles give Parant a huge advantage over other corner showers – unique flexibility for a perfect fit in every corner.

Size: Adjustable, see sketches below.
Height 1850 mm.

Parant Center

(Art. 8900 9102)

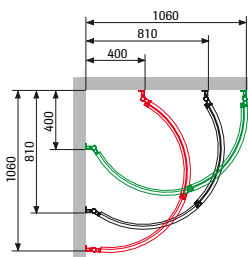
As above but with centre access and slightly higher walls (1900 mm). You can combine Parant Center with shower walls to give you even greater flexibility to customise your own shower design. See the suggestions below.

Shower walls

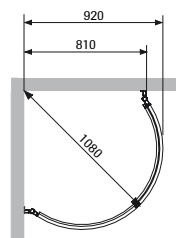
Fixed side wall for installations with Parant Center. Natural anodised aluminium profiles and plain, clear safety glass.

Wall 50 (Art. 8900 0337)

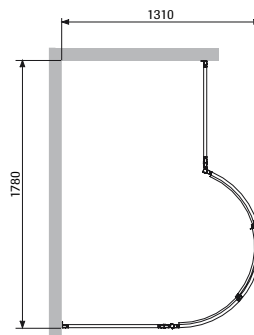
Wall 70 (Art. 8900 0340)



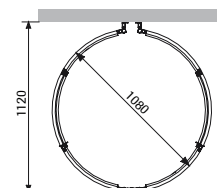
Parant. Examples of sizes for fully flexible corner installations.



Parant: Sizes for regular corner installation.



Parant Center + 2 x Wall 70
+ 2 x SP Linking strip.



2 x Parant Center +
1 x SP Linking strip.

Diamant (Art. 8900 9120)

Attractively designed corner shower with the door set at an angle. Door and walls in sturdy natural anodised aluminium profiles and clear safety glass. The door glides to and fro with just a whisper on soft-suspension, roller-bearing wheels and has a secure brush-strip seal. It can be installed to open right or left (opening width: 450 mm).

Size: 960 x 960 mm, height 1900 mm.

OPTIONAL ACCESSORIES

Diamant can also be fitted with a steam bath. Add Diamant roof dome (see below) and suitable filler profiles. For details of steam generators, see page 114.



Diamant roof dome

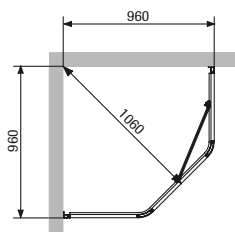
(Art. 8911 0540)

One-piece roof dome in special-grade plastic with assembly profiles of natural anodised aluminium. Specially designed to fit Diamant corner showers.

Height 150 mm.

Perfect combination

Just add a roof dome, a VB steam generator and a CC control panel and you can transform Diamant into a sensational steam bath.

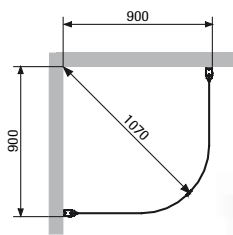


Swing (Art. 8900 9125)

Swing is ideal where space is at a premium. Two elegantly curved door sections in 6 mm tempered safety glass. Adjustable aluminium side posts wide enough to allow room for the passage of surface-mounted pipes. The door sections open both inwards and outwards, and stay put automatically at the chosen position. By folding the doors in when the shower is not in use, you free up the maximum amount of floor space.

IMPORTANT! As this shower has no floor-seal it is recommended primarily for shower rooms where the floor slopes towards a waste outlet. As there is no threshold the shower is practical for disabled people.

Size: 900 x 900 mm, height 1900 mm.



Filler profiles

You can use these natural anodised aluminium assembly profiles to make it easier to adapt your shower to the size of your bathroom.

UPH (Art. 9022 8105)

For use where water pipes are surface mounted or for increasing the installation size by 55 mm.

SP Linking strip

(Art. 9022 8115)

Profile for linking shower wall to Parant.

KP Combi-profile

(Art. 9022 8125)

T-shaped linking strip.



Steam baths.

Welcome to a world of pure, unadulterated pleasure.

Tylö steam rooms have evolved from the luxurious hot baths of the Romans. Today we construct them with walls and ceilings of plastic, glass or tiles to cope with the 100% humidity inside during the bathing cycle.

Unwind amid clouds of steam in the modern successors to the magnificent bathing houses of Ancient Rome. The gentle heat and penetrating humidity relax your body, easing muscles and soothing away the cares of the day. At the same time the steam cleans every pore, leaving your skin baby-soft and smooth. There's no better way to feel rejuvenated, refreshed – reborn.







Tylö steam rooms – the choice of professionals.

Give the people in charge of running public bathing facilities the chance to choose a steam room, and the chances are they'll choose Tylö. One reason is cost-effectiveness. They know that our commitment to quality and durability, our hard-wearing constructions and the reliability of our equipment minimise the cost of service and maintenance.

For the bathers themselves, Tylö steam rooms mean comfort and convenience. In Tylö Elysée rooms the contoured seats are tastefully integrated into the walls. In Tylö Excellent there are wide, comfortable, split-level benches separated by attractive cover panels. And both series incorporate elegant glass doors and dome-shaped ceilings to enhance the sensation of space and light.

All in all, it's qualities like these that make Tylö a firm favourite – meeting the professionals' criteria for a rational, reliable choice, and satisfying discerning steam bathers' demands for pleasure and relaxation.

Domed roof – not just elegant to look at; it's practical too. It prevents condensation from dripping onto the bathers below.

Automatic drainage – the individually contoured seats are designed to lead water and condensation to the floor drain.

Ventilation is prepared for connection to the ordinary ventilation system.

Recessed downlights above each seat (in Elysée) provide welcoming subdued lighting.

Exclusive hinged door in tinted, tempered safety glass with frame and door handle of anodised aluminium. May be hung to open right or left.

Stainless steel protection round the edge of the door leaf, with an air inlet under the apron/drainage strip at the bottom of the door.

Magnetic strips for a reliable, steamtight seal round the door.

Perfect seals with special silicone and non-perishable sealing strips between all sections.

Your choice of exterior finish. Rooms are designed to allow you to adapt the finish of the outside walls to their surroundings.





Tylö Elysée.

A luxurious steam room that meets the highest criteria for form and function. The perfect complement to public bathing facilities in hotels, spas and corporate hospitality suites – and a dream come true in most homes. Tylö Elysée comes in many different sizes and styles (see pages 112–113 for details).

Made of high-tech, vacuum-formed, special-grade white plastic for a rigid, steamtight construction. Supplied in ready-to-assemble wall and roof sections with integral seating and a recessed downlight above each seat. The door is made from tinted, tempered safety glass in a sturdy frame with handles of anodised aluminium. Transformer for lighting, air outlet vent and all assembly hardware included.

Simply add your choice of steam generator and control panel to complete (see pages 114–115).

Lots of optional extras

- Wall/seat modules may be replaced by a glass section to allow more light to enter.



- All rooms may also be equipped with a service wall, with shelf compartments and fittings for mixer tap, shower head and riser rail. The service wall may be ordered instead of the corresponding wall/seat module at no extra cost. Do bear in mind, however, that this will reduce the number of seats in the steam room.
- Steam rooms with a floor area of up to 4 sq.m. may be supplied with a floor tray of vacuum-formed white plastic (except for F/FC when fitted with the optional glass front).

OPTIONAL ACCESSORIES

Steam Door 101 G

Specially designed for wheelchair access with extra wide opening, no raised threshold and a stainless steel protective edge around the glass door leaf. See pages 118–119 for more information about Tylö doors.

Floor tray

Vacuum-formed, white, special-grade plastic, with integral waste outlet, water trap and adjustable legs. May be used with all Elysée steam rooms from model 2 D to model 7 F with max. size 212 x 193 cm (except for F/FC when fitted with the optional glass front).

Glass wall

Smoked, tempered safety glass in a frame



of natural anodised aluminium. Each glass wall section replaces one wall/seat section. May be ordered instead of the corresponding wall/seat section at no extra charge.

Service section Basic

Integral shelf compartments. Made of vacuum-formed, special-grade white plastic. May be ordered instead of the corresponding wall/seat section in plastic at no extra charge. See page 116.

Service section Complete

Fully equipped vacuum-formed wall section with soap/shampoo compartments, jet nozzles for water massage, thermostatically controlled mixer tap, shower head and riser rail. See also page 116.

Tylö Fresh

Electronic fragrance dispenser. Details page 117.

Steam Clean

Cleaning/disinfecting equipment. Details page 117.



THE ELYSÉE PACKAGE INCLUDES:

Wall and seat modules (not external wall covering) • Seat reinforcers • Steam door 60G
Air outlet vent • Roof dome/roof sections • Downlight RF 12V/5W • Assembly hardware

Tylö Excellent.

A luxurious steam room raises the standard in any public bathing facility. Tylö Excellent has been designed primarily for professional use, but smaller models can also be a dream solution at home. Tylö Excellent is available in many sizes, from versions for just four or five bathers to magnificent steam rooms that cater for more than 50 guests in comfort.

Made of high-tech, vacuum-formed, special-grade white plastic for a rigid, steam-tight construction. Supplied in ready-to-assemble wall and roof sections with interior fittings consisting of wide, comfortable benches in white lacquered aluminium. The decorative cover panels can be removed for easy cleaning. The door is made from tinted, tempered safety glass in a sturdy frame with handles of natural anodised aluminium. Air outlet vent and all assembly hardware included.

Simply add your choice of steam generator and control panel to complete (see pages 114–115).

Lots of optional extras

- All Excellent steam rooms may also be equipped with the optional service wall, with integrated shelf compartments and space for a mixer tap and shower set. The service wall may be ordered instead of the corresponding wall/seat section at no extra cost.
- Wall sections may also be replaced by glass walls. Do bear in mind, however, that these changes require made-to-measure benches and that they reduce the number of seats in the steam room.



OPTIONAL ACCESSORIES

Steam Door 101 G

Specially designed for wheelchair access with extra wide opening, no raised threshold and a stainless steel protective edge around the glass door leaf. See pages 118–119 for more information about Tylö doors.

Glass wall

Smoked, tempered safety glass in a frame of natural anodised aluminium. Each glass wall section replaces one wall/seat section. May be ordered instead of the corresponding wall/seat section at no extra charge.

Service section Complete

Vacuum-formed wall section with soap/shampoo compartments, jet nozzles for water massage, thermostatically controlled mixer tap, shower head and riser rail. May be used to replace a wall/seat section. See page 116.

Service section Basic

Integral shelf compartments. Made of vacuum-formed, special-grade white plastic. May be ordered instead of the corresponding wall/seat section in plastic at no extra charge. See page 116.

Tylö Fresh

Electronic fragrance dispenser. Details page 117.

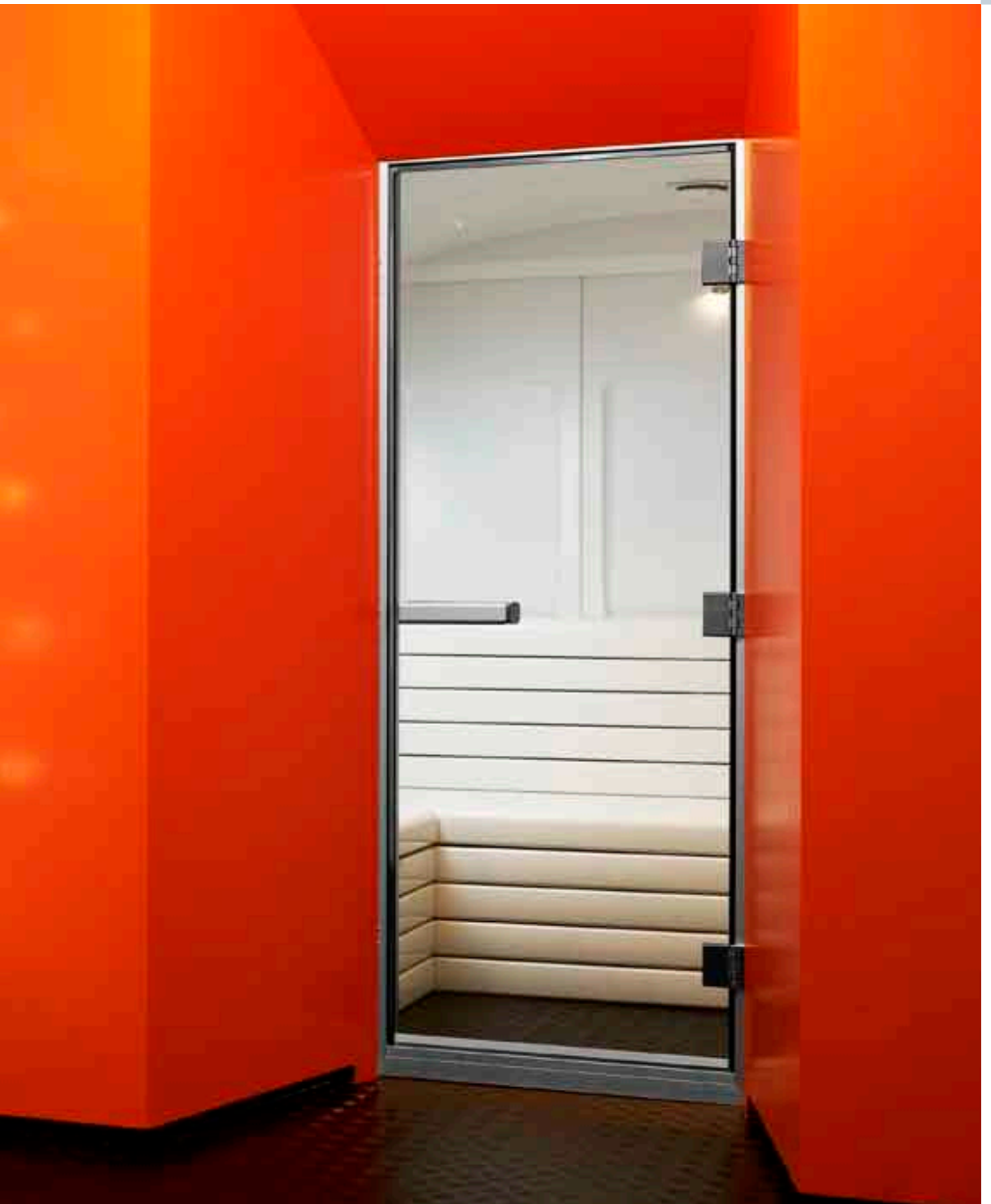
Steam Clean

Cleaning/disinfecting equipment. Details page 117.

THE EXCELLENT PACKAGE INCLUDES:

Wall sections (not outer wall covering) • Steam door 60G • Aluminium bench
Roof sections • Air outlet vent • Assembly hardware



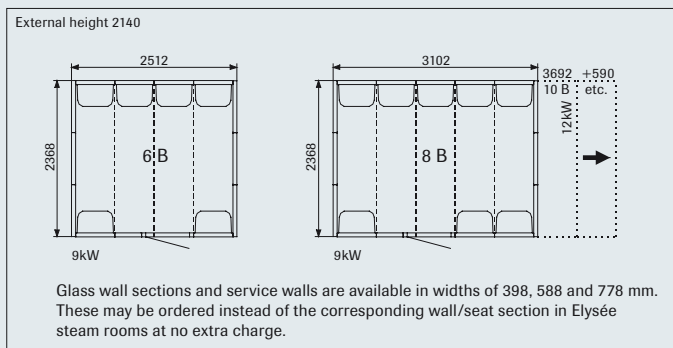
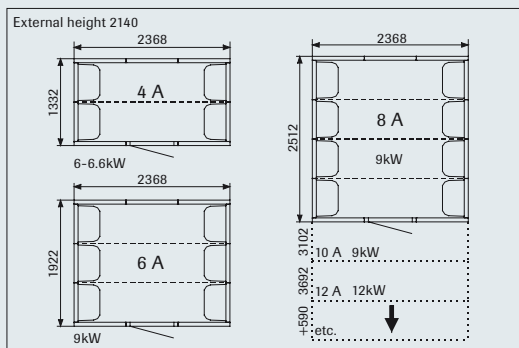
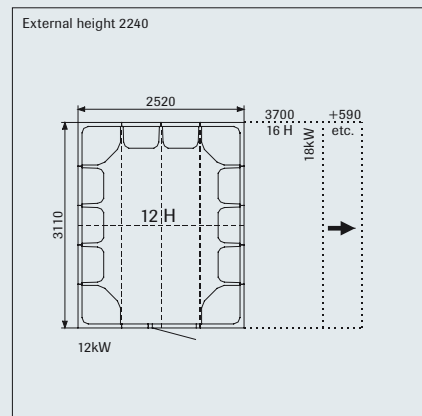
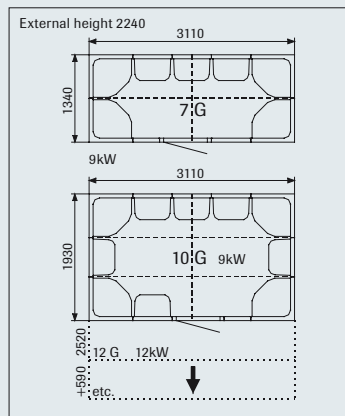
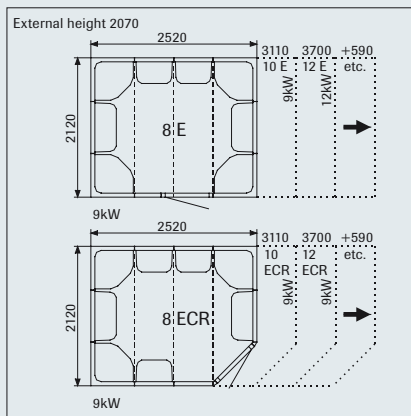
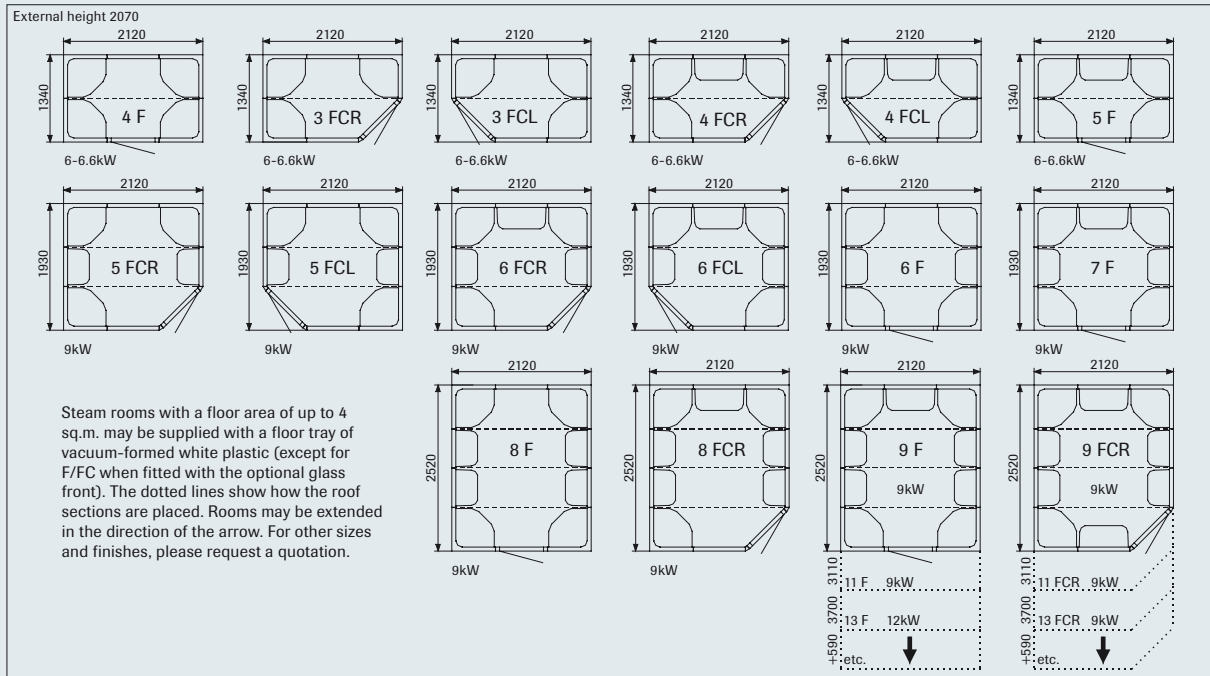
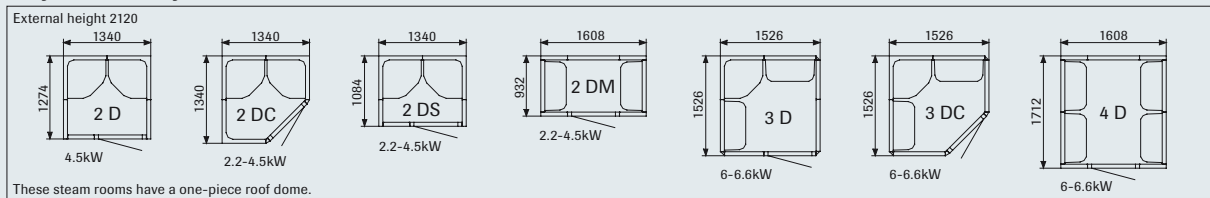


Freedom of choice is yours – by design.

Here is a bird's eye view of our complete, prefabricated steam rooms, showing sizes and the layout of the interior fittings. All these steam rooms can also be installed mirror fashion. Just add a suitable steam generator with the required output, a control panel and a floor tray, where required. Outer wall coverings are not included.

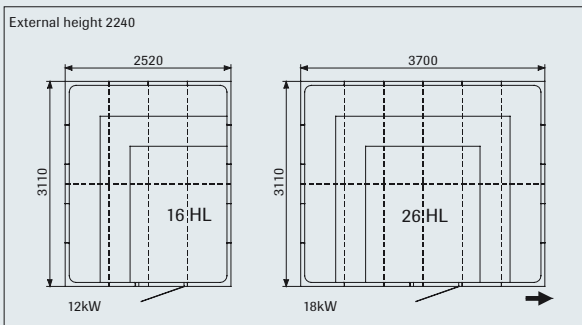
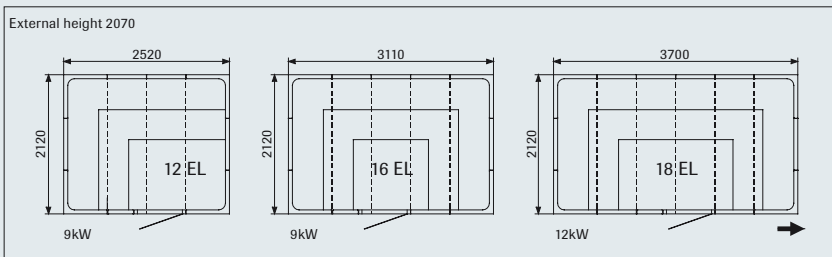
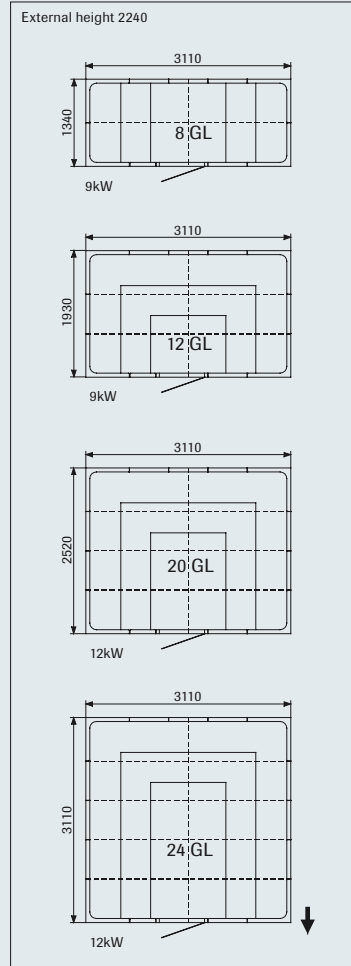
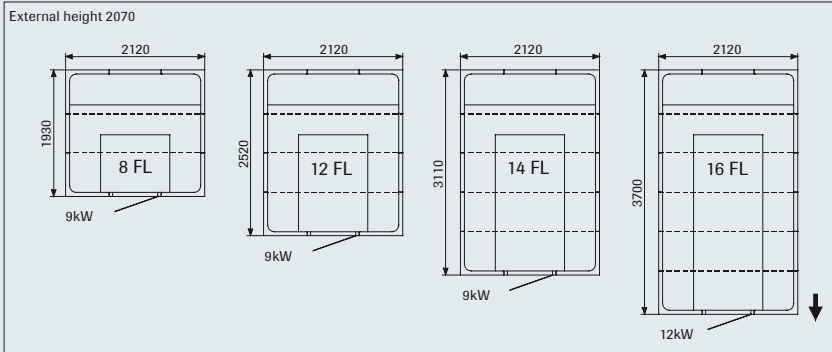
Layouts for Elysée

See current price list for article number for each size.

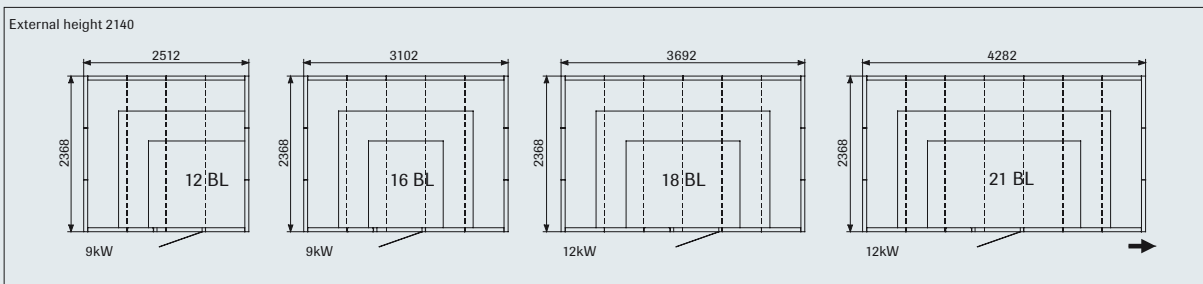
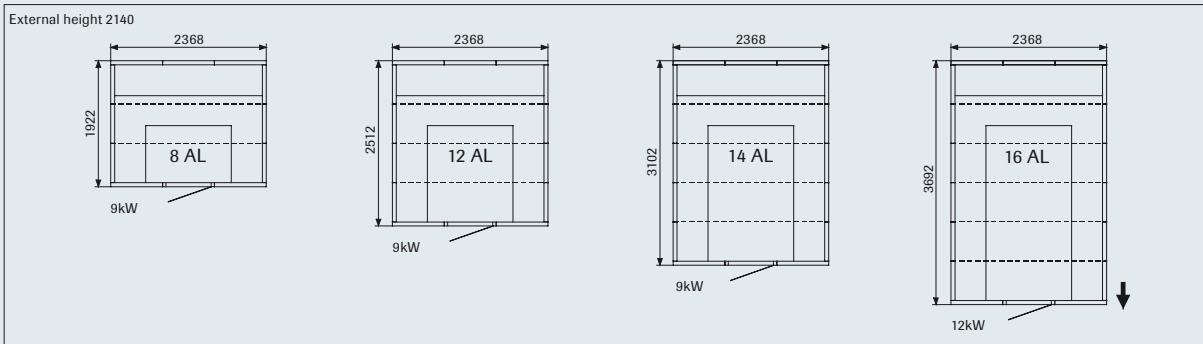


Layouts for Excellent

See current price list for article number for each size.



The dotted lines show how the roof sections are placed. Rooms may be extended in the direction of the arrow. For other sizes and finishes, please request a quotation. Glass wall sections and service walls are available in widths of 398, 588 and 778 mm. These may be ordered instead of the corresponding wall/seat section in Excellent steam rooms at no extra charge.



Tylö steam generators.

Our powerful steam generators are designed to cope with the demands of a tough life in public bathing facilities, hotels and gyms. Under these conditions steam generators often need to work more or less round the clock, so service and maintenance times have to be kept to a minimum. That's why we have given operational reliability top priority and chosen the best possible materials and components in every Tylö steam generator.

Superlative safety thanks to the electronic water-level indicator, low-water cut-off, integral safety valve and temperature limit control.

Always the right steam output, regardless of the quality or level of the water.

Stand-by function – a unique Tylö innovation that saves huge amounts of money for public steam-bathing facilities.

The cleverest control panels with features such as remote control, infinitely variable temperature control, energy-saving divided output, weekly timer with long-term programming function and battery back-up.

Practical features and functions, such as the solenoid valve with easy-to-clean filter.

Hidden out of sight – for example, in a well ventilated cabinet or machine room above, below or on the same level as the steam room itself. (Max. distance: 15 m.)

Simple installation – the steam generator can be fitted to the wall or installed as a freestanding floor unit.

Low energy consumption – divided output produces a constant bathing temperature, continuous steam production and little noise.

Built-in operational integrity – automatic empty-flush-and-refill cycle without any noticeable effect on performance if the quality of the water in the tank deteriorates.

Calcium-repellent electrodes placed for easy access under the service hatch on the top of the steam generator.

First-class tubular elements – high quality heat- and acid-resistant tubular heating elements made in-house by Tylö.

Fully welded water tank – a service-friendly construction in top quality stainless steel with replaceable tubular elements.



Steam generators

Tylö VA

A powerful, fully automatic steam generator with a large water tank, which makes it ideal in public facilities. Requires connection to electricity and water supplies. Convertible 1-phase/3-phase. The table on the right gives details of the appropriate output for the size and wall finish of your steam room. IP rating: IP45. Add your choice of control panel, see page 115.

Steam 6 VA (Art. 6610 2020)
Output 6 kW.

Steam 9 VA (Art. 6610 3020)
Output 9 kW.

Steam 12 VA (Art. 6610 4020)
Output 12 kW.

Steam 18 VA (Art. 6610 5020)
Output 18 kW.

Steam 24 VA (Art. 6610 6020)
Output 24 kW.



Tylö Steam VB

A compact steam generator with the same high quality materials, functions and features as the VA, but with a smaller water tank to ensure rapid heating-up times in small and medium-sized private steam rooms. The table on the right gives details of the appropriate output for the size and wall finish of your steam room. IP rating: IP23. Add your choice of control panel, see page 115.

Steam 2/4/6 VB (Art. 6620 1830)
Convertible between 2.2/4.5/6.6 kW for connection to 1, 2 or 3 phases.
Size: 445 x 415 x 130 mm.

Control panels

For touch-button or remote control operation. Can also be connected to external switches or a central computer to control multiple functions in public facilities, etc. All control panels incorporate an energy-saving divided output and have splashproof housing. They can be placed at any distance from the steam room. IP rating: IP 24.



CC 10 (Art. 7121 3000)

Max. 3-10 hours bathing time. 0-10 hour pre-set. Light diodes indicate the temperature setting and time on a scale from 1 to 10. Manual and automatic on/off. Size: 100 x 150 mm, depth 30 mm.

CC 10 Recessed (Art. 7101 3040)

As above, but for installation recessed into the wall.



CC 50 (Art. 7121 4005)

Switchable for 1, 3, 12 or 24 hours bathing time. 0-10 hour pre-set. Display shows pre-set times and bathing temperature. Security code function to deny unauthorised users access to programmed values. The panel also has a memory function, on/off switches for steam room lighting and automatic/manual on/off. Size: 130 x 190 mm, depth 27 mm.



CC 300T (Art. 7111 5155)

Switchable to run between 0.5 and 24 hours and has a display that indicates temperature, humidity, remaining operating time, day and time. In addition the CC 300 is equipped with a switch for lighting, English instructions, and memory, security code and energy-saving stand-by functions. Thanks to the integral weekly timer, the CC 300 also offers optional automatic on/off operation and stand-by mode at preselected times on the days of your choice. The control panel can be operated from an external control point. Size: 130 x 190 mm, depth 27 mm. Protection class: IP 24.

OPTIONAL ACCESSORY

External switch (Art. 9090 8040)

For on/off control of the steam bath from places other than where the CC control panel is located.

Stand-by – a unique Tylö feature that means big savings for public steam baths!

The stand-by function saves energy galore in public baths, hotels, gyms, and anywhere else where the steam bath is in daily use, but the influx of visitors is uneven. Simply set the unit to “stand-by” during off-peak times. When bathers arrive, the room can quickly be heated up to the desired temperature. This feature enables operators to economise on energy consumption and save substantial sums of money every year.

Steam generator	Output kW	Steam room's min/max volume (cu.m)				Steam prod'n in kg/hrs	Size in mm L x W x H	Suitable control panel
		Lightweight wall of glass, plastic, Elysée/Excellent rooms etc.		Heavy wall of tiles, concrete, stone, etc.				
		with ventilation	without ventilation	with ventilation	without ventilation			
2/4/6 VB*	2.2 4.5 6.6	– max 4 3 – 8	max 2.5 max 5.5 4 – 15	– max 2.5 2 – 5	max 1.5 max 3.5 2.5 – 8	3 5.5 8	445 x 130 x 415 mm	CC 10-3 S, CC 50 or CC 300
6 VA	6	3 – 8	4 – 15	2 – 5	2.5 – 8	8	570 x 224 x 485	
9 VA	9	6 – 16	13 – 24	4 – 10	7 – 16	12	570 x 224 x 485	
12 VA	12	14 – 22	22 – 30	8 – 15	14 – 20	16	570 x 224 x 485	
18 VA	18	20 – 30	28 – 40	13 – 20	18 – 30	24	615 x 445 x 485	
24 VA	24	28 – 40	38 – 50	18 – 30	28 – 40	32	615 x 445 x 485	
3 x 9 VA**	27	38 – 45	48 – 60	28 – 40	38 – 52	36	570 x 224 x 485	
3 x 12 VA**	36	43 – 60	58 – 70	38 – 50	48 – 60	48	570 x 224 x 485	

* Convertible between 2.2, 4.5 and 6.6 kW for connection to 1-phase, 2-phase or 3-phase.

** Only 1 control panel is required.

Steam bath accessories.



Steam Guard

Steam Guard W (Art. 9002 9210)

For wall installation inside the steam room to protect bathers from the hot jet of steam. Recommended in all public facilities.

Steam Guard 778 (Art. 9002 9220)

As above, but for 778 mm section in Tylö Elysée steam rooms.

Steam Guard 588 (Art. 9002 9230)

As above, for 588 mm section.

Steam Guard Corner

(Art. 9002 9240)

As above, for corner section.



Optical fibre lighting

Halogen lighting for atmospheric lighting in all sorts of settings. The lighting source is in a projector placed outside the sauna room. The length of the optical fibres determines the maximum distance between the projector and the light points.

Fiber Light Standard

(Art. 9001 1100)

42 W with 6 light points (2 x 2 m, 2 x 2.5 m and 2 x 3 m).

Fiber Light Public (Art. 9001 1120)

42 W with gilded fittings and 8 light points (2 x 2.5 m, 3 x 3 m and 3 x 3.5 m).

Fiber Light Colour S (Art. 9001 1125)

75 W with 9 light points (1 x 0.5 m, 2 x 1 m, 3 x 1.6 m, 2 x 1.9 m, 1 x 2.3 m) and a rotating disc for fixed or changing colours.

Fiber Light Colour (Art. 9001 1130)

75 W, as above but with 9 light points on 2.5 metre cables for large rooms.



Downlight (Art. no. 9001 1081)

Effective spotlighting for recessed installation in the steam room. 12 V/5 W. Connect to 12 V transformer described below. Installation size: dia. 60 mm. IP 21.

Transformer 12 V/210 W

(Art. 9090 1015)

200–240 V~/12 V max. 210 W.

Transformer 12 V/60 W

(Art. 9090 1020)

As above, but for max. 60 W.



Lighting strips

May be cut to size and installed under the benches in Excellent steam rooms. 12 V. Connect to our 12 V transformer. IP 24.

Lighting strip 38 (Art. 9001 1190)

Length 38 cm. 12 W.

Lighting strip 50 (Art. 9001 1192)

Length 50 cm. 15 W.

Lighting strip 90 (Art. 9001 1194)

Length 90 cm. 27 W.

Lighting strip 190 (Art. 9001 1196)

Length 190 cm. 57 W.



Service section, complete

(Art. 4990 5085)

Wall section in white, vacuum-formed, special-grade plastic. Jet nozzles for water massage, thermostatically controlled mixer tap, shower head, riser rail and soap/shampoo compartments. May be used to replace a wall/seat section.

Service section (Art. 4990 5081)

As above, but without jet nozzles.



Fragrance dispensers

Tylö Fresh (Art. 9090 8005)

Fragrance dispenser for saunas, steam baths and wherever else Tylö's aromatic essences may be needed. Silent, automatic operation. Installation distance: max. 2 metres between fragrance dispenser and nozzle. Up to four fragrance dispensers may be connected to a single control panel for varying the fragrance in one or more rooms. Size: 350 x 200 mm.

CC Fresh (Art. 9090 8006)

Electronic control panel for easy, automatic operation of Tylö Fresh dispenser. Supplied complete with transformer. May be installed at any distance from the fragrance dispenser. Size: 130 x 190 mm, depth 27 mm.

Tylö Fresh Basic (Art. 9090 8007)

As Tylö Fresh above, but with transformer and simple on/off function for manual control of the fragrance intensity. May also be connected to lighting, etc. For domestic saunas only.



Loudspeaker A (Art. 9080 2000)

Steam and heat-resistant materials suitable for recessed installation inside the steam room. 50 W output. Installation size: 120 mm diameter, depth 55 mm.

Loudspeaker B (Art. 9080 3000)

As above, 50 W, but for surface-mounting. Size: 77 x 114 mm, depth 125 mm.



Steam jet

Steam Outlet (Art. 9002 9250)

Steam head with integral dispenser for Tylö fragrances. Connect to the steam generator's steam pipe.

Descaling agent

Sulfamic solvent (Art. 9090 3010)

An extra effective descaling agent for professional use only in public facilities. Sold in a 5-kilo pack.

Solvent 50 (Art. 9090 3007)

Powder for descaling the water tank in Tylö steam generators. Totally odourless and harmless. Sold in packs of 50.



Mould remover

(Art. no. 9090 3040)

Simply spray on to remove black mould spots quickly and effectively. This mould remover penetrates deep, killing the bacteria and mould spores that thrive in the humidity of showers and bathrooms, and helping to inhibit regrowth. Ideal for tiles, joints, shower curtains, plastic matting, etc. TYLÖ Mould remover: 450 ml.

MegaClean 150 ml

Cleans, polishes, protects

(Art. no. 9090 3050)

Tylö MegaClean produces a sparkling result on washbasins, baths, taps, tiles and plastics (for example, bubble baths and steam baths). Tylö MegaClean's unique cleaning action is the result of a carefully balanced mix of cleaning agents and substances that protect the surfaces. This makes it easier to remove the grime and deposits that normal cleaning agents can't shift. Tylö MegaClean is free from environmentally hazardous substances and adds a sparkle to all surfaces that can be washed in water.

Cleansing kit (Art. no. 9090 3020)

Removes calcium deposits on shower glass and glazed tiles. Always use the titanium wool ball with liberal amounts of water. Impregnating liquid to protect shower glass and glazed tiles against a build-up of lime deposits.

Tylö Impregnator (Art. no. 9090 3030)

Preserves and protects shower glass and glazed tiles. Spray on and rinse off with clean water

Disinfecting equipment



Steam Clean (Art. 9090 8020)

For automatic day-to-day hygiene and disinfection of steam rooms in hotels and public facilities, etc. One hour after completion of the bathing cycle the entire room is automatically flushed with water. A ceiling-mounted sprinkler sprays disinfectant throughout the room and then repeatedly rinses it off with clean water. A security code function ensures that the disinfecting cycle can not be activated accidentally. Steam Clean is indispensable in all public facilities.



Disinfectant (Art. 9002 9100)

Disinfecting liquid for use with Steam Clean (above). Supplied in a 5-litre plastic container.



Doors.

Our hinged doors for showers and steam rooms have an extra robust design to cope with wear and tear and heavy traffic in demanding environments such as public bathing facilities. They are manufactured in 6 mm smoked, tempered, safety glass with protective stainless steel trim round the edges and hung in a robust aluminium frame. Door leaves come complete with aluminium handles and hinges, and magnetic strips for a tight seal. There is a drainage strip and air vent at the base of the door. All our hinged doors can be hung to open left or right.



Steam Door 60 G

Tempered glass door. Frame size: 1870 x 778 x 60 mm, width of opening 670 mm.

Tinted glass (Art. no. 9091 2000)

Clear glass (Art. no. 9091 2001)



Steam Door 50 G (Art. 9091 1010)

Compact model in tempered clear glass with concealed hinges. Frame size: 1855 x 635 x 43 mm. Width of opening 550 mm.



Steam Door 101 G (Art. 9091 2025)

Tempered, tinted safety glass door specially adapted for wheelchair access with an extra wide opening and flat sill. Frame size: 1870 x 1010 x 60 mm, width of opening 900 mm.



Shutting device for glass doors

(Art. 9030 1010)

Hydraulic construction closes glass doors gently and smoothly. May be combined with the door-closer below.



Automatic door-closer

(Art. 9030 1030)

Fits to the side of the door with the hinges, to close the door from a fully open position. Easy to fit. Complement this with the hydraulic shutting device described above.



Tylö Professional.

All over the world Tylö leads the way in creating inspiring environments for saunas, showers and steam bathing, both at home and in public facilities.

Our standard range includes quality products that meet the highest functional and aesthetic demands and are at home in just about every setting. And, should you require an individually designed solution to meet specifications and expectations beyond what even the Tylö standard range can offer, our Design Department is at your service.

Whether the emphasis is on exclusive materials or unconventional layouts, we can design, manufacture and deliver a prefabricated solution to meet your every requirement. We will even tell you in advance exactly what the final price will be. All we need from you is a sketch with the right measurements and a list of your wishes and requirements.

Saunas and steam baths are a great way of relaxing and socialising – for recreation or for corporate representation. We have already supplied thousands of unique, custom-designed bathing facilities to private homes, businesses, cruise ships, castles and palaces all over the world.





Hints on building, installing and ventilating a sauna.

Building a sauna “plank by plank” with battens and panels, insulation, door, fittings and mouldings, etc. requires knowledge and experience as a carpenter. The alternative is to choose one of the prefabricated sauna rooms from the Tylö range. It’s a short-cut to success that compares favourably with the cost of a sauna built on site.

How long it takes to build a Tylö sauna depends, of course, on the model. But full step-by-step instructions and an ingenious design concept make the work straightforward. At the same time you can be sure of a sauna with the carefully crafted finish that is the hallmark of good quality and your guarantee of reliable service for many years to come.

The location of the sauna room

In principle you can install a sauna almost anywhere. The only requirement is that, for safety reasons, the minimum ceiling height is 1900 mm.

It’s an advantage to have a shower close by, so the bathroom often makes the ideal location for a home sauna. However, part of the patio or conservatory, spare room in the loft or cellar, or the children’s room once they have flown the nest, can also be the perfect place to create your own home spa.

Layout

The layouts of our prefabricated sauna rooms give you a few tips on how to position the benches in a sauna.

Split-level seating is a practical solution when you want to offer children – or anyone else for that matter – a choice of bathing temperatures. The lower the bench, the lower the temperature.

For the best air circulation in the sauna, the sauna heater and the door should both be placed on the same wall.

It is important to make sure that the sauna heater is at a safe distance from the side walls and any heater guards. The instructions supplied give the minimum safety distances for each respective heater.

Choosing and installing a sauna heater

The output of the sauna heater must be

suited to the size of the sauna room itself.

As a rule of thumb, you need a heater that produces approximately 1 kW for each 1.3 cubic metres. For a sauna room with large areas walled with glass, tiles or other dense materials, you will, however, require a heater with a greater output. The type of sauna that you prefer is also important when choosing the right sauna heater.

Remember, too, that electrical installations must be carried out by a qualified electrician.

Walls and ceiling

Inside the sauna, wooden panelling is the traditional choice – and the best as well. You may prefer timbers free from resin and knots, such as alder, aspen and lime. However, spruce and pine are also suitable for sauna panelling if you prefer a more rustic character with knots as a decorative element and the refreshing scent of resin.

Behind the wood panelling you will need to insulate walls and ceiling with a layer of mineral wool approximately 5 cm thick. If the sauna backs onto a cold outer wall it is a good idea to leave an air gap between the outer wall and the insulation in the sauna to prevent any condensation penetrating the sauna walls.

Choosing a stone finish on certain walls inside the sauna can add an attractive decorative touch, but do bear in mind that dense, solid materials on the walls mean that the sauna room takes longer to heat up.

Door

A sauna door must always open outwards and close with a magnetic strip, self-closing hinges or similar so that it is impossible for the door to become jammed or impossible to open. A professionally manufactured door specially designed for sauna use is always the best choice.

Interior fittings

Benches, backrests and decor panels can be designed in many different ways. The quality of the carpentry work, the durability of the construction and the standard of the finish are what give the sauna room its unique character. For quality that you can rely on under all conditions Tylö interior fittings are the obvious choice.

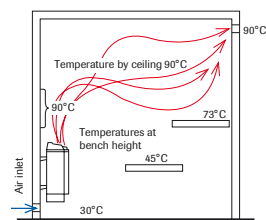
Sauna floors

The best solution is to have the same flooring inside the sauna as in the room outside.

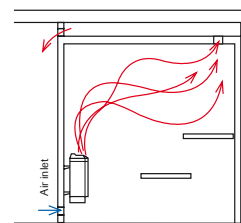
It is an advantage to have a floor drain in the sauna room. This is by no means a necessity, but it does make cleaning the sauna room easier.

Sauna ventilation

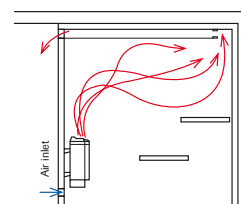
The best ventilation is the simplest. According to the traditional “natural draught” principle there should be an air inlet through the wall under the sauna heater and an air outlet on the wall in the top corner diagonally opposite. The air outlet must always lead into the same room from which the inlet air is drawn. The sketches below illustrate different solutions for different circumstances.



Outlet vent through wall. The outlet is placed high up, close to the ceiling.



Outlet vent discharges air via a cavity above the sauna ceiling.



Outlet vent via ducting below sauna ceiling. The duct is placed in the angle between the ceiling and wall, and is boxed in with wood. The cross-sectional area of the duct must be the same as that of the outlet vent.

Save energy

The energy used for a normal sauna bath, including heating-up time is no more than that required to run a washing machine for 4 hours. Moreover, it is worth noting in this respect, that all the heat generated by the sauna heater can be re-used.

Thermostatically controlled radiators in the rest of the building can take a rest as this heat is subsequently dispersed. The fact that sauna bathers usually shower in cooler water than normal is another energy-saving benefit.

Additional energy can be saved by installing a sauna room in a corner against one or more outside walls, a form of extra insulation that can save as much as 500 kWh a year.

Hints on how to keep your sauna fresh.

To enjoy your sauna room to the full, you should spend a little time now and then keeping it clean and fresh. A clean sauna is not only more pleasant to bathe in, but it also performs better and lasts longer. Here are a few words of advice on what to do.

Surface treatment

Use boat varnish to treat the door threshold and handles, as well as any floor decking, wooden flooring and steps. Applying several coats helps maintain the appearance of the wood and produces an attractive, durable and water-repellent finish.

Benches and any skirting panels or backrests should be oiled on both sides with Tylö sauna oil. This odourless oil impregnates the wood to produce a water-repellent surface that makes cleaning easier. **IMPORTANT!** Leave walls and ceilings inside sauna rooms untreated.

If the sauna has glazed wall sections or windows, it is advisable to treat the lower mouldings around the glass with extra care. Condensation often collects here and may damage the wood if these mouldings are not treated with boat varnish or impregnated with oil at frequent intervals.

Cleaning

To maximise the pleasure of sauna bathing it is important to keep sauna rooms clean and fresh. Scrub the benches and floor regularly, preferably with a mild liquid detergent that leaves a pleasant fragrance.

Thermometer and hygrometer

To ensure accurate readings, place these on a side wall to the heater, at a height of 1500 mm above the floor.

Wooden bucket and scoop

Tylö's wooden bucket has a plastic insert to prevent the wood cracking after prolonged use. Never keep the bucket on the upper benches, but leave it on the floor where the air is coolest. To preserve the beautiful wooden finish, we recommend that you impregnate the bucket with Tylö sauna oil now and again.

Sauna stones

Sauna stones should be of igneous dolerite rock (diabase) or olivine, both of which withstand rapid heating and cooling.

It is important to fill the stone compartment in the correct way. Always follow the advice in the assembly instructions that come with each Tylö sauna heater.

Check the stone compartment

It is important to do this a couple of times a year – especially in public facilities and those which are used frequently.

Remove all the stones. Vacuum up small particles of stone and grit and clean off any calcium deposits that have formed at the bottom of the compartment. Then replace the stones that are in good condition and, when necessary, top up with new stones from Tylö.

Birch twigs

The best time to make a traditional birch-twig sauna whisk is in the early summer, when the birch leaves have sprouted, but before the forest insects have made their home in them! Tie the twigs (50–60 cm long) in fairly thick bunches. Make a loop in the twine so you can hang the bunches of twigs from a hook in the sauna wall. Store them in a dark, cool, dry place.

You can even put them in a plastic bag and keep them in the freezer! When you want to use the birch twigs, thaw them in lukewarm water before sprinkling water over them above the sauna heater. Your birch twigs will be like new again, releasing a delightfully fresh fragrance as you fan or gently beat your body with them. The wonderfully invigorating sensation of surrounding yourself with the scents of summer in the depths of an ice-cold winter has to be experienced to be believed.

Other sauna fragrances

For a long-lasting fragrance, hang a bunch of juniper twigs from the sauna room wall. They not only smell delightful, but they add a decorative touch as well.

A few drops of Tylö sauna fragrance in

the water sprinkled over the sizzling hot stones also permeate the sauna room with a refreshing scent that clears your nose and head. Tylö fragrances are pure, natural products and come in a choice of scents: eucalyptus, peppermint, lavender, cinnamon, etc.

Special info for steam saunas

As the humidity in a steam sauna can be much higher than in a traditional sauna room, it is important to bear the following in mind. Lower mouldings on windows in doors or walls must be treated with boat varnish and the gap between the pane of glass and the moulding must be sealed with bathroom silicone. This prevents condensation from seeping into the gap.

The surface treatment of all other interior fittings is the same as for conventional saunas.

Complement your existing sauna with infra-panels

The Tylö range includes infrared panels for installation in existing saunas. Infrared radiation (IR-B and IR-C) is used in a number of medical therapies as it is believed to ease the discomfort of ailments such as sciatica, gout, rheumatism and muscular pain. Infrared heat is also used by beauty therapists to enhance the positive effect of certain skin treatments.

Quicker heating-up times

With a couple of infrared panels installed in your sauna room you can start to bathe straightaway, without waiting. While the sauna heater is heating up the air, you can enjoy the benefits of the direct warmth spread by infrared radiation from panels installed on the sauna walls and/or between the benches.

Hints on how to plan a steam room.

All Tylö steam rooms and steam generators are supplied with detailed assembly and installation instructions. Please note the following points, however, before commencing installation work.

Source of heating

The steam room is heated up by the steam generator. There should be no other source of heating in the steam room apart from the steam generator itself. The ambient temperature outside the steam must not exceed 35°C. The normal bathing temperature in the steam room is approximately 45°C with 100% humidity. The steam generator only produces steam when the temperature in the steam room is lower than the temperature set on the generator's control panel. If there are other sources of heating in the steam room, steam generation will stop or be intermittent.

Ventilation

As a general rule no special ventilation is required for steam rooms in homes or those used for only short periods of time. However, for reasons of hygiene and to ensure trouble-free operation, all steam baths that are in use for more than 2 hours at a time must be connected to some form of mechanical ventilation that replaces 10–20 cu.m. of air per bather per hour. Otherwise the relative lack of heat-loss in the steam room has a negative effect on steam production.

Materials and design

Steam room materials must withstand high humidity and high temperatures. The floor must be made of a non-slip material and slope towards a floor drain. The roof should be domed or sloping to prevent hot condensation dripping on the bathers below. The simplest solution is to buy a prefabricated Elysée or Excellent room, a Tylette Centre cabinet or a Tylö Felicity multi shower. We always recommend installing a shower in domestic steam rooms.

Steam bath lighting must be 12 V or 24 V. Lighting is included in Tylö Elysée steam rooms, Tylette Centre cabinet and Tylö Felicity multi shower.

Steam generator

The steam generator needs to be connected to water, drainage and electricity. In areas with hard water (over 5° dH), we recommend installing a water softener, such as the Tylö automatic descaler on the feed pipe. This is particularly important for steam baths in continuous use.

Tylö steam generators may be located up to 15 metres from the actual steam room; for example, in a well-ventilated cabinet or machine room above, below or on the same floor as the steam room. The steam is led to the steam room via copper piping (at least 12 mm internal diameter) insulated with plastic. Ensure that there are no sharp bends or elbows in the pipe where water may gather.

Choose a steam generator with a capacity suitable for the volume, construction and ventilation (if installed) of the steam room in which it will be used. See the table on page 115.

Basic principles for Tylö steam room installations



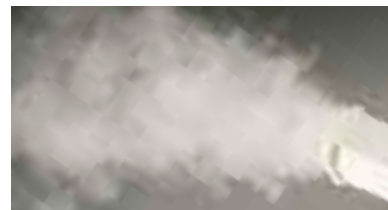
- A steam room may be installed directly on quarry tiles, marble or seamless vinyl floor-covering. Floors must slope towards a wastewater outlet, preferably located in the centre of the steam room.



- The construction is self-supporting. No supporting walls are necessary. Steam rooms may be assembled freestanding, against a wall or in a corner.
- Wall and roof sections are connected using special-grade silicone which both bonds and seals. The sections are then screwed together with the help of sturdy battens to form a safe, stable and absolutely steamtight construction.



- The air outlet vent in the roof (not over a seat) is connected to a ventilation channel that discharges spent air into the open. Existing ventilation shafts may be used.
- It is advisable to install a shower in steam rooms in domestic properties. This can be done in connection with the steam room assembly work. One suitable alternative is to install the Tylö service section complete with gentle shower and massage shower functions, riser rail and shelf compartments, etc.
- The steam generator may be concealed in a well-ventilated cabinet.



- Install the steam head between 5 cm and 40 cm above floor level. Direct the jet of steam horizontally under the seats. There must be free passage for the steam jet of at least 70 cm (more if possible) before its path is impeded by any fixed object.

About Tylö.

The Tylö name is a registered trademark in 74 countries all over the world. The company was founded in 1949 by Sven-Olof Janson.

Tylö AB is a well-established manufacturer with considerable market shares and all the resources necessary to ensure stable growth. This provides the foundation that makes Tylö AB a secure partner for the future.

Our highly successful concept is built on offering products of high quality which promote relaxation, enjoyment and the pleasure of bathing. All the products that bear our name have been developed and manufactured by Tylö. Today our products are exported to more than 80 countries on every continent, and export sales currently account for more than 75% of our total production.

The Tylö factory is located in a modern industrial area close to the centre of Halmstad, Sweden. The factory has been extended more than a dozen times since 1959, most recently to give a factory floor area of 30,000 sq.m. The company has enjoyed an AAA credit rating (Dun & Bradstreet) for many years and all investments in land, buildings and machinery have been financed with internal resources.

TYLÖ®

Registered office, factory and warehouse: Svarvaregatan 6, SE-302 50 Halmstad, Sweden
Fax: +46 35-299 01 98 • E-mail: info@tylo.se • Website: www.tylo.com

Produced in cooperation with:

Layout and production: hstd reklambyrå.

Text: Gert-Åke Kegg. Photos: Anders Sällström, Göran Örtegren, and others. Stylist: Kicki Lindblom. Print: Skånetryck. Translation: AB Språkman

We would also like to express our thanks to: Danzani, Svenska Kakel and Sea Lounge, www.sealounge.se.

© The contents of this publication may not be reproduced in part or in whole without written permission from Tylö. Tylö reserves the right to amend specifications of materials, construction and design.

TYLÖ®

www.tylo.com